

8 7 6 5 4 3 2 1

H

H

G

G

F

F

E

E

D

D

C

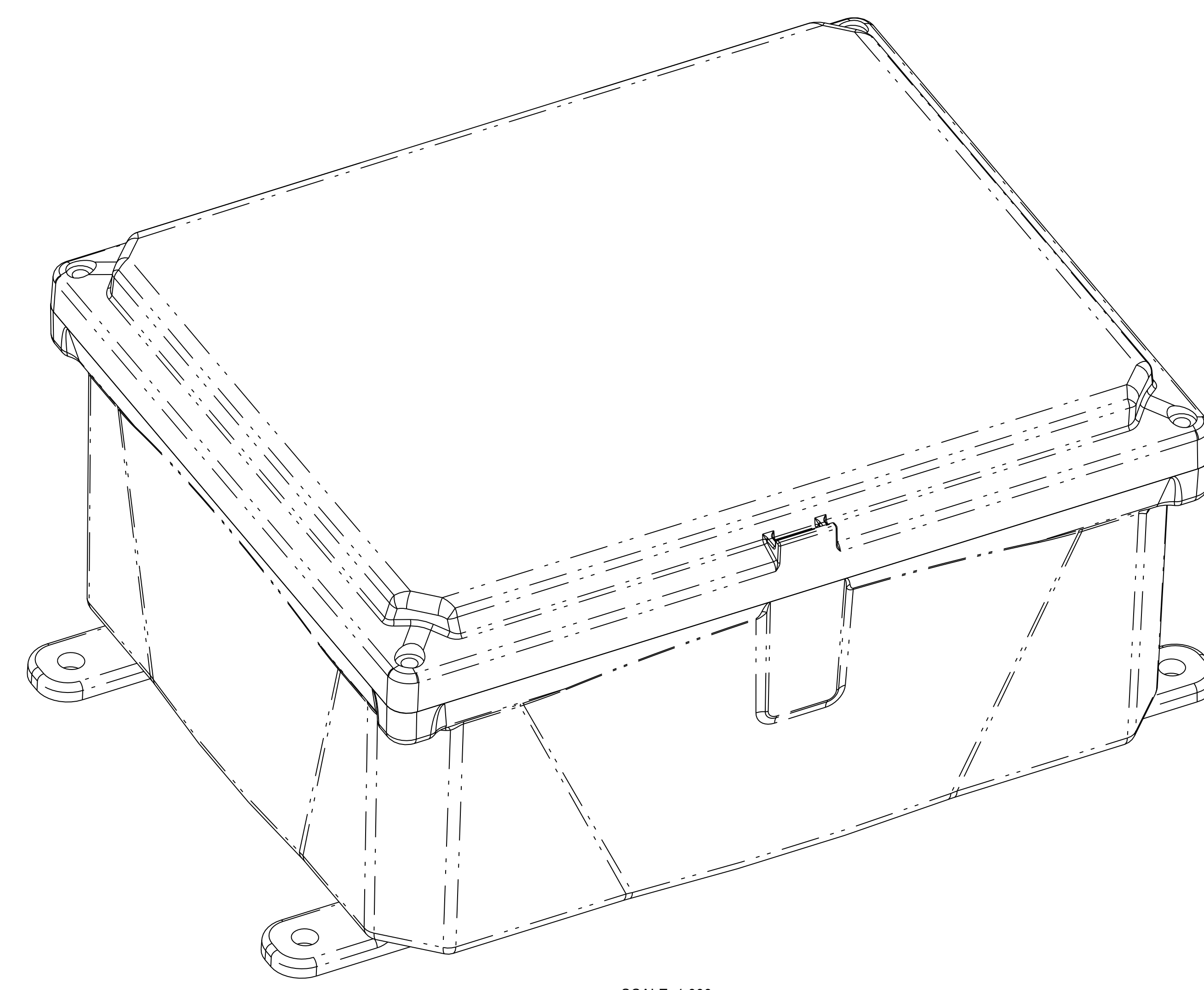
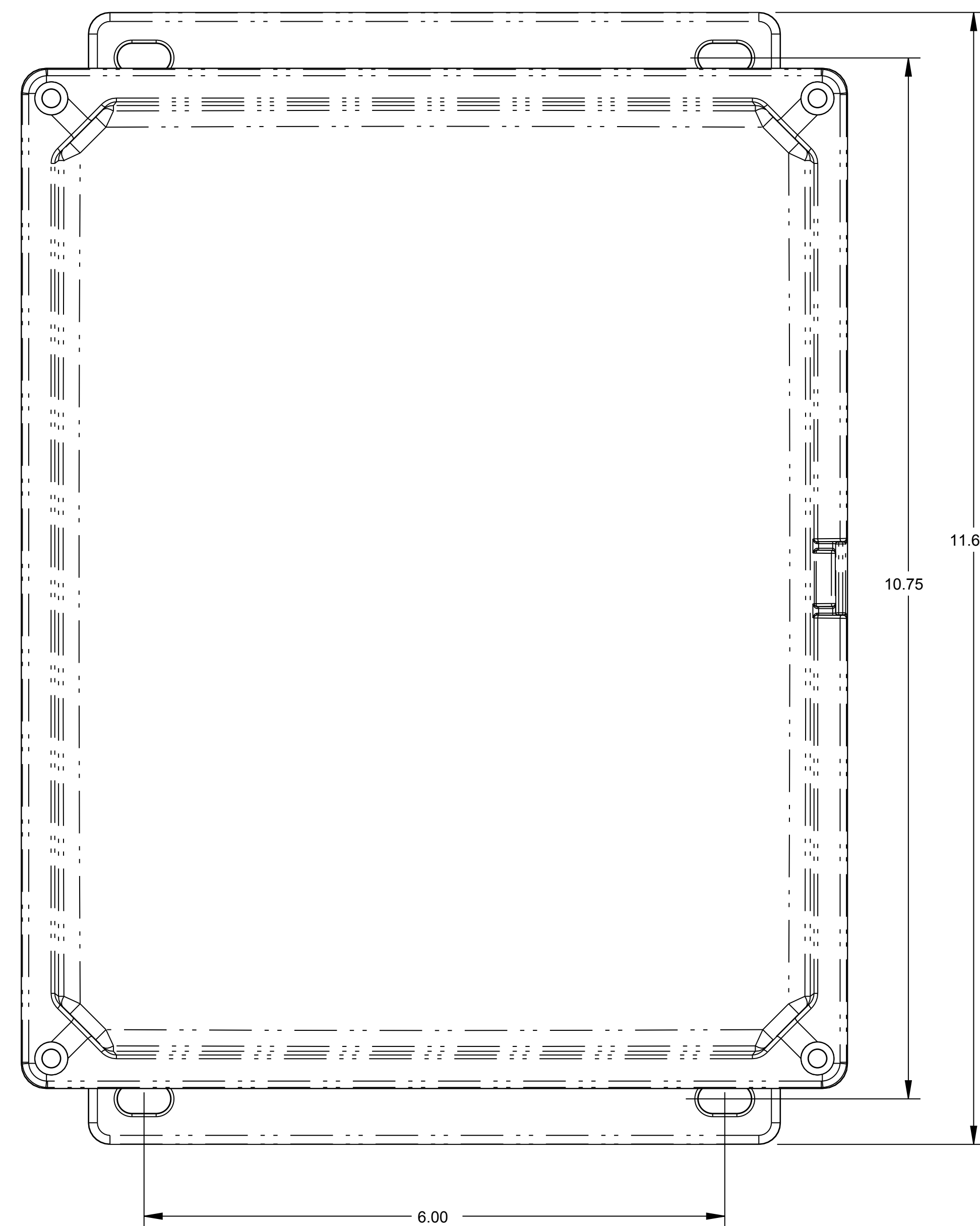
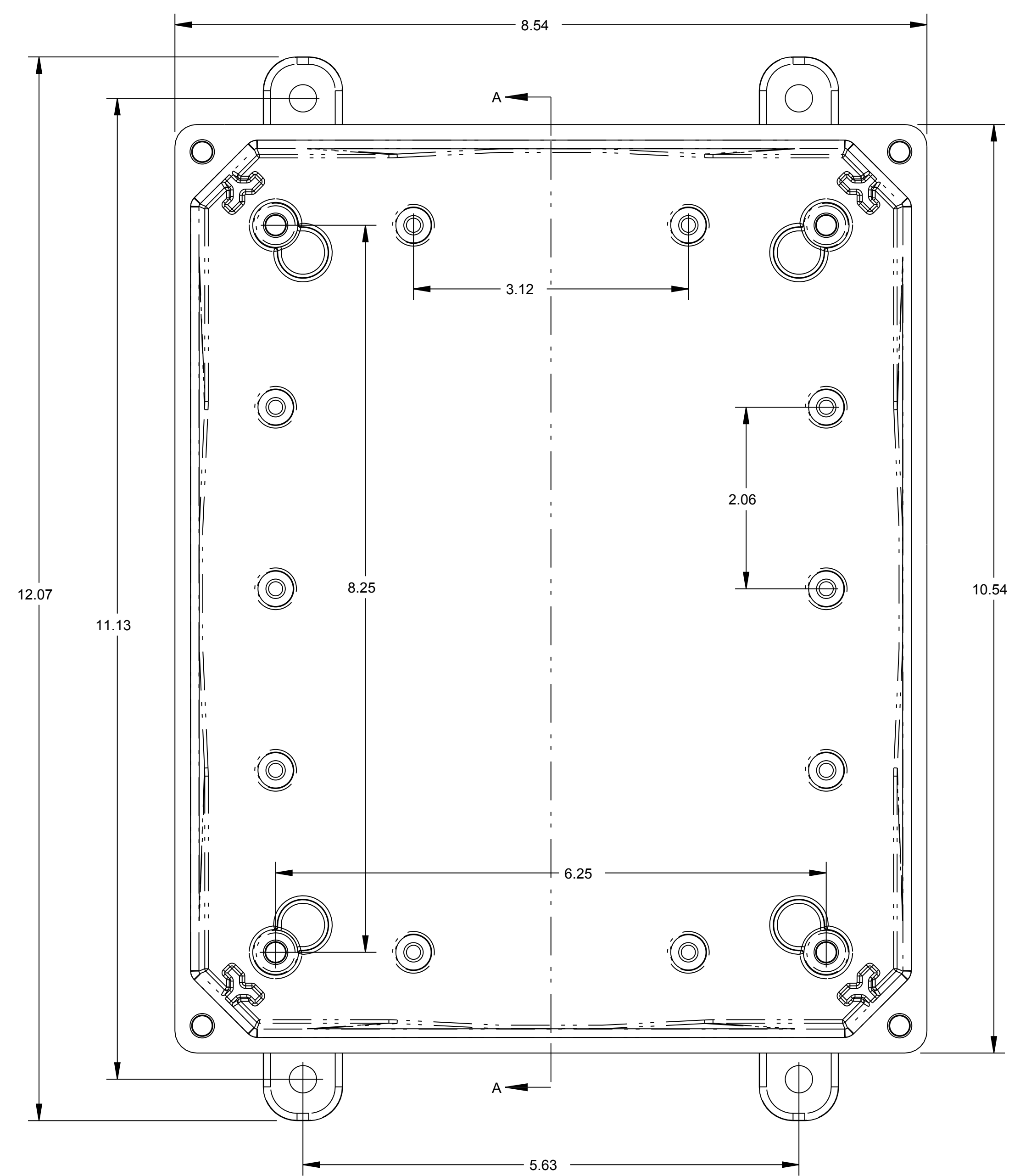
C

B

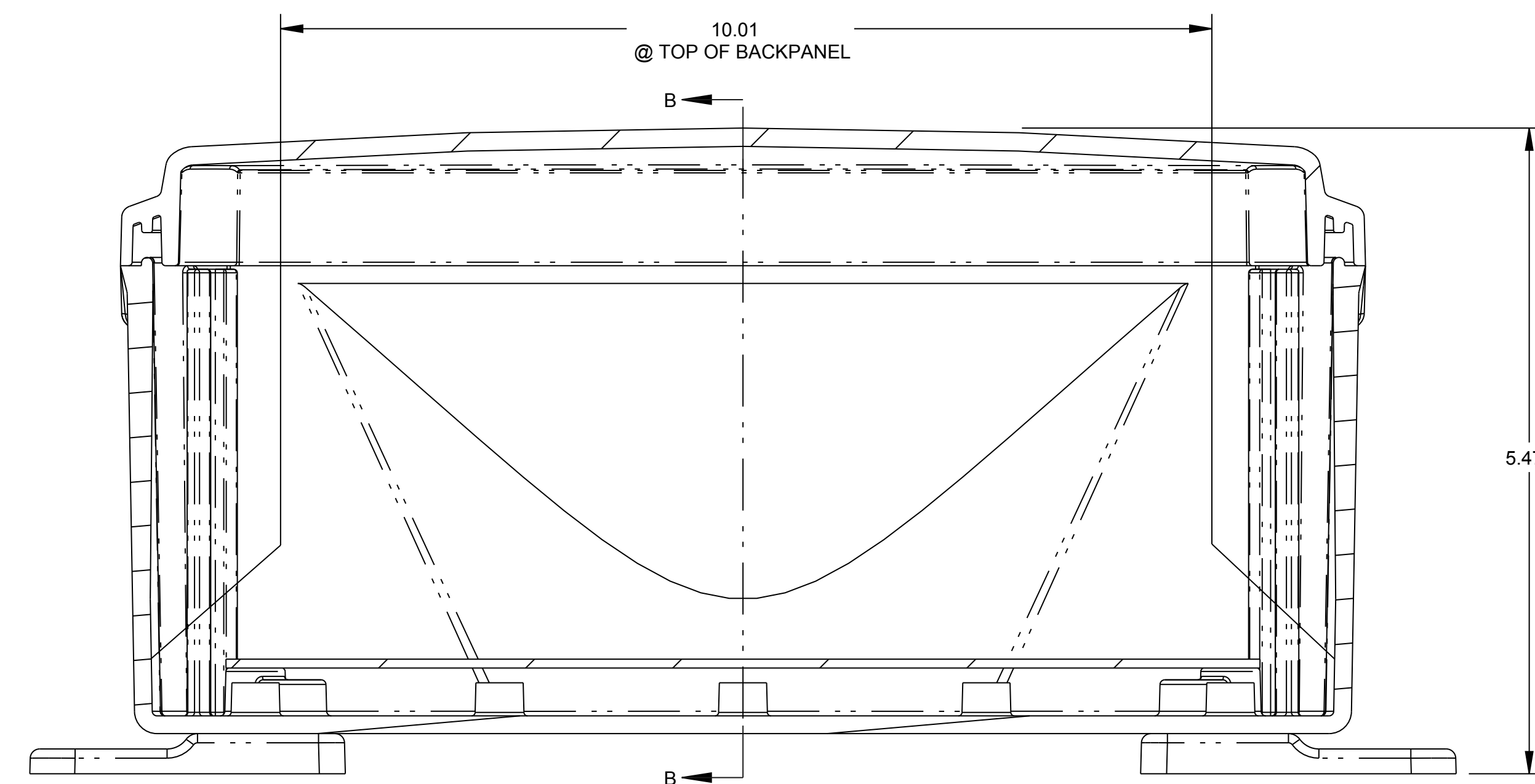
B

A

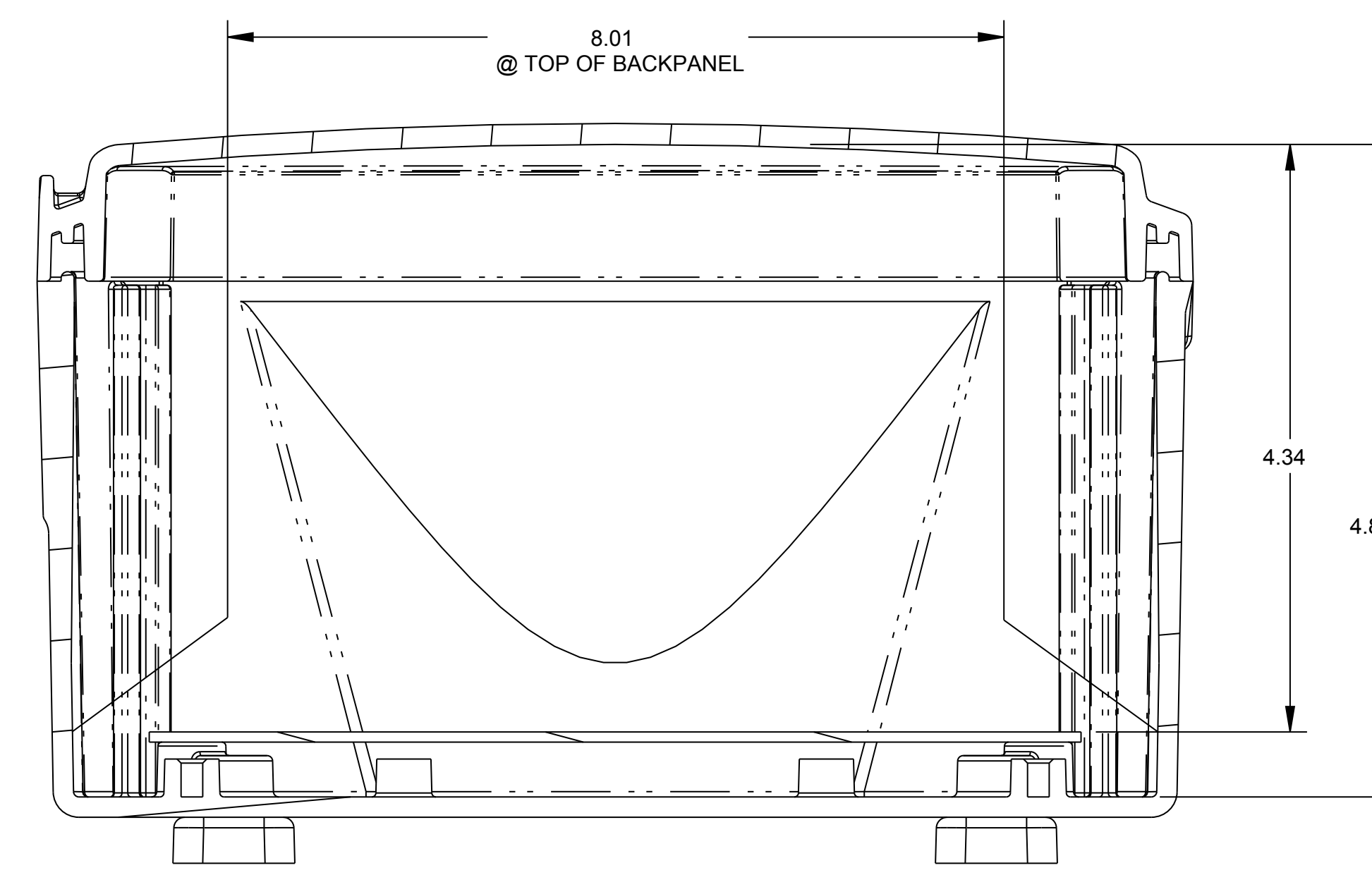
A



SCALE 1.000



SECTION A-A



SECTION B-B

PART NO.	10X8X4
REVISION NO.	

DO NOT SCALE DRAWING

<small>CONFIDENTIAL</small> <small>THIS PRINT AND THE SPECIFICATIONS ARE THE PROPERTY OF INTEGRA INC. AND HAS BEEN DESIGNED WITH THE UNDERSTANDING THAT IT WILL NOT BE REPRODUCED, REVEALED TO OR USED FOR MANUFACTURE FOR OTHERS, AND WILL BE RETURNED UPON REQUEST.</small> <small>(C) DATE 5-18-2008</small> <small>INTEGRA INC.</small> <small>ALL RIGHTS RESERVED.</small> <small>TOLERANCES</small> <small>ALL DIMENSIONS UNLESS OTHERWISE SHOWN</small> <small>ANGLES ± 0.1°</small> <small>DECIMALS ± 0.1 XX ± 0.05 XXX</small> <small>FRACTIONS ± 1/16</small>	REVISIONS				INTEGRA INC. <small>WILLOUGHBY, OHIO</small> 10x8x4 BOX ASSEMBLY		<small>PART NO.</small> 10X8X4	<small>SHEET TOP</small> <small>REVISION -</small>
	CHG.	CHK.	DATE	NOT NO.				

8 7 6 5 4 3 2 1