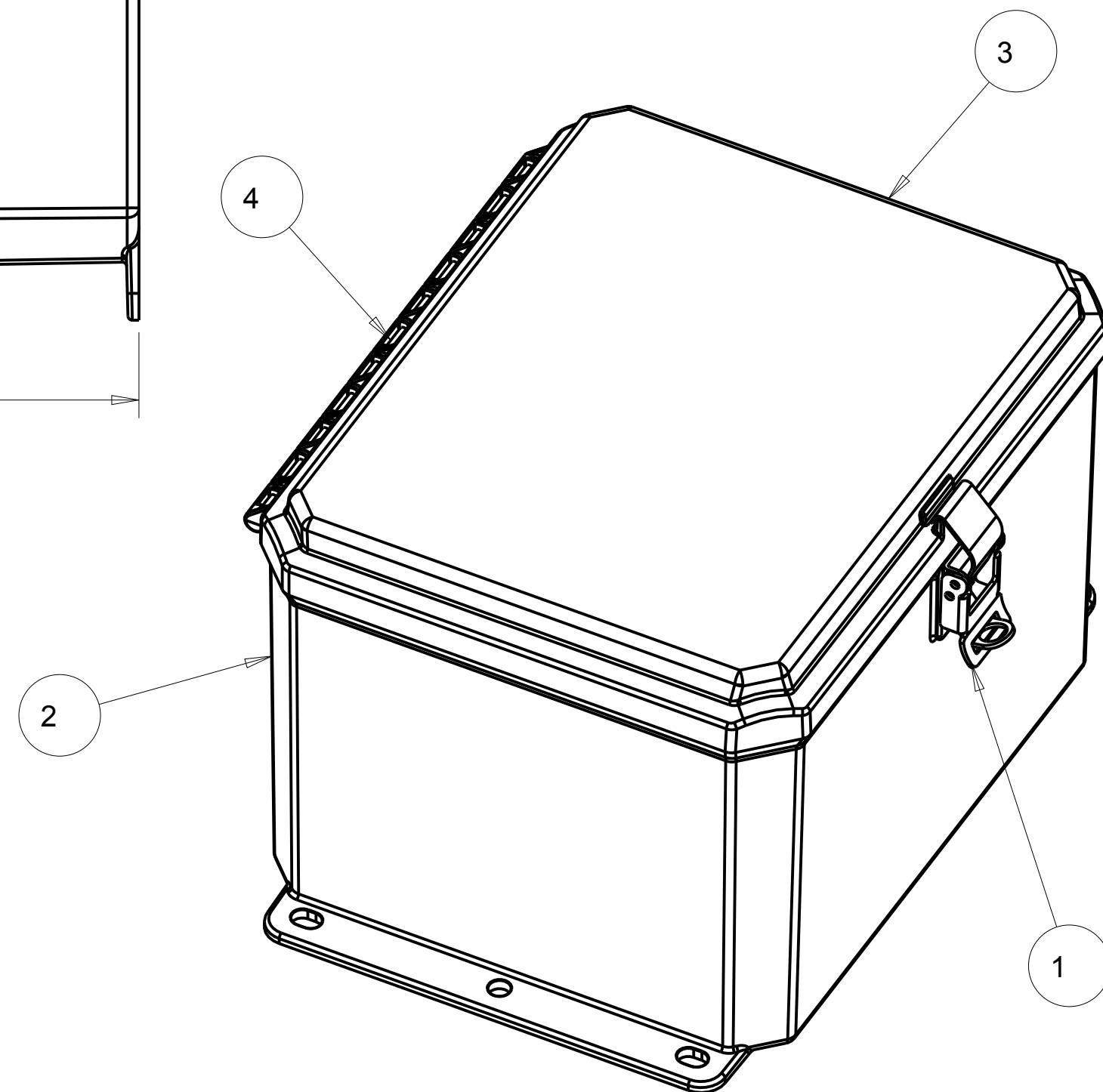
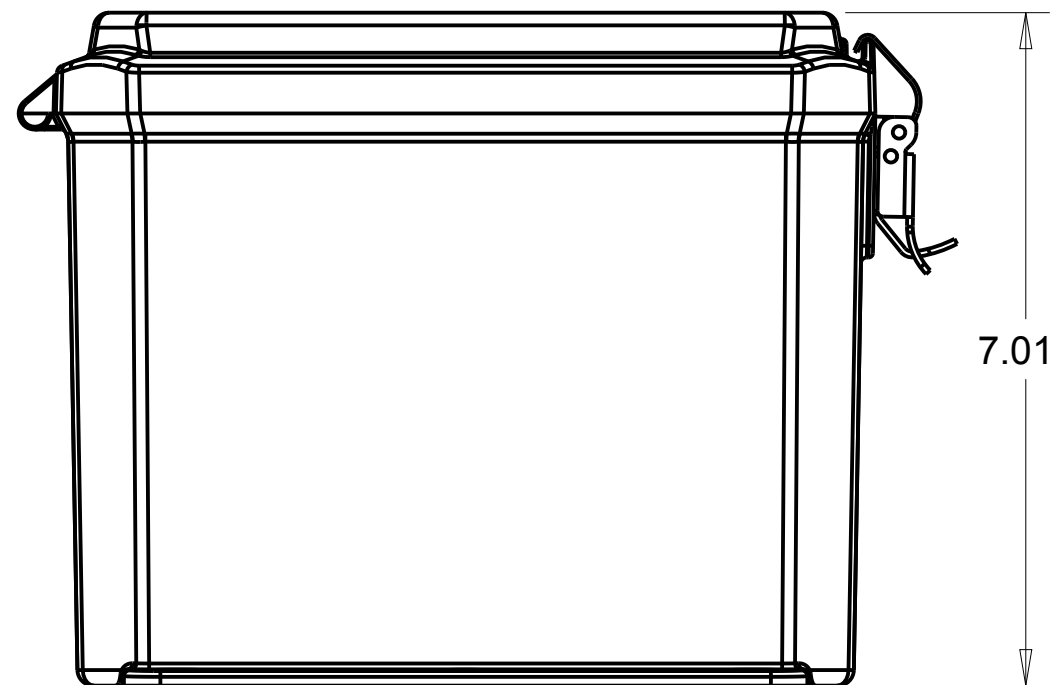
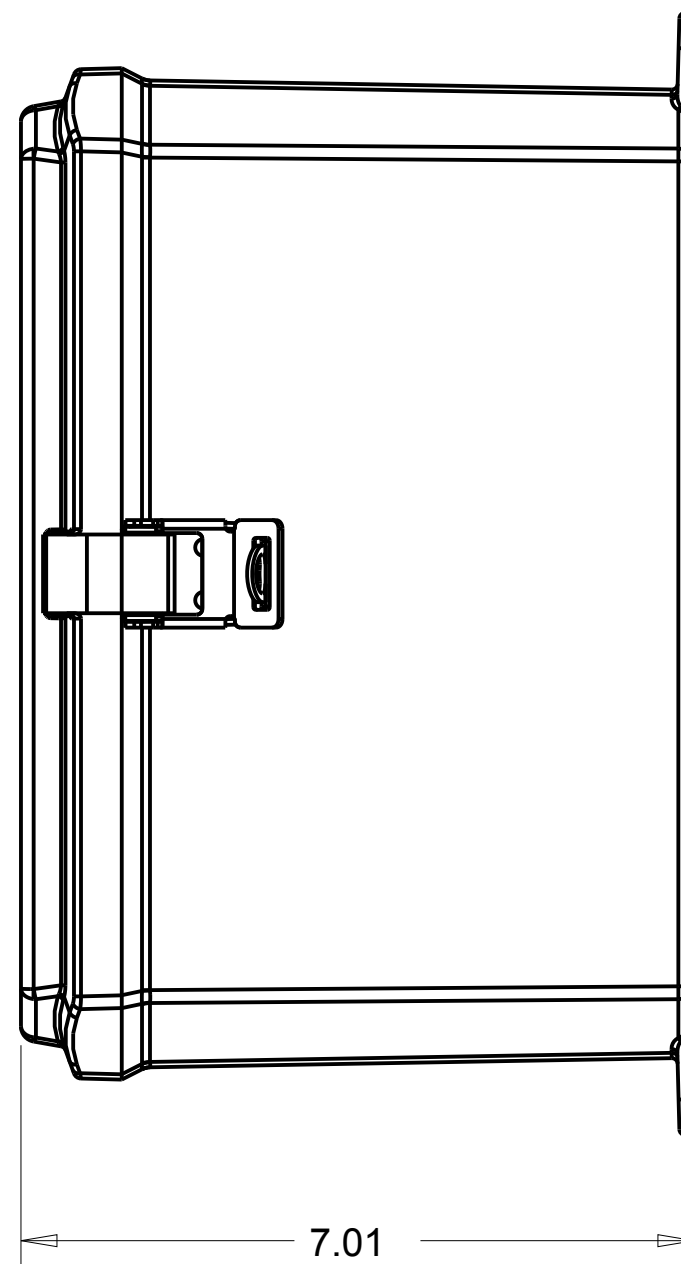
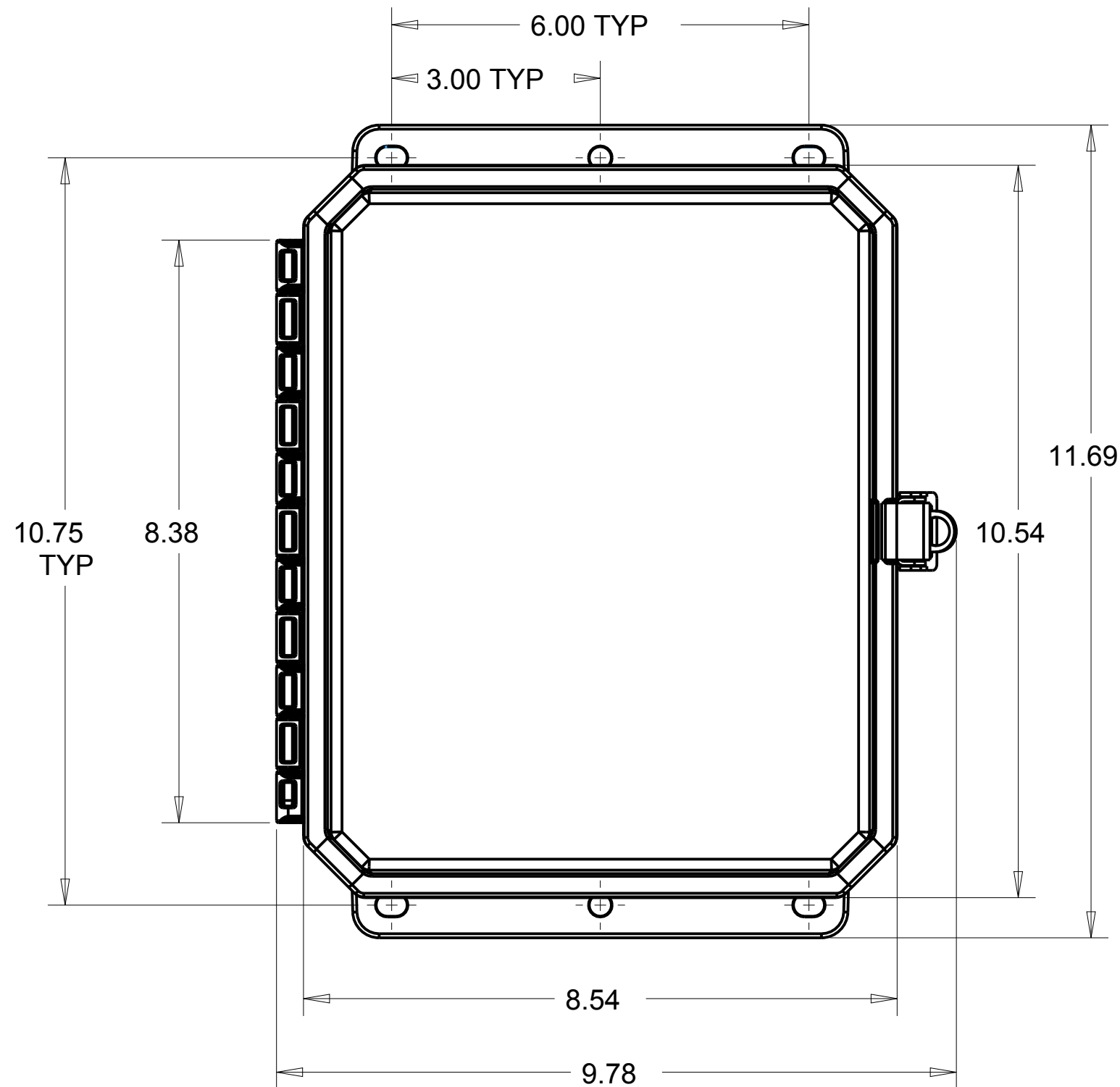


Item	PartNo	Description	Qty
1	9912562-82-10	LOCKING LATCH,STAINLESS STL	1
2	P1086BLPLL	10X8X6 IMPACT,LOW PROFILE EXTERNAL	1
3	P108CLPOLL	10X8 IMPACT,LOW PROFILE EXTERNAL	1
4	RM-HNG-PIN-125DIA	10X8 HINGE PIN, STAINLESS STEEL	1



PART NUMBER: P10086LPLL

A				RELEASED TO PRODUCTION AT REV A				W.T.		11-16-11		ECN NO.		APPROVED BY	
REV				DESCRIPTION				BY		DATE		ECN NO.		APPROVED BY	
DEFAULT TOLERANCES		SCALE		SHEET		DRAWN BY		MUM INDUSTRIES		7750 TYLER BLVD MENTOR, OHIO (440) 289-8155 FAX (440) 289-8186		DRAWN BY		REV	
DECIMAL .XX ±0.01 .XXX ±0.005		1/2:1		1 of 1		W.TIDWELL		TITLE		10X8X6 IMPACT,LOW PROFILE HINGED, LOCKING LATCH ASSY		DATE		REV	
FRACTIONAL ± 1/64		ANGULAR ±1°		DRAWING NUMBER		P10086LPLL		DATE		11.16.11		REV		A	