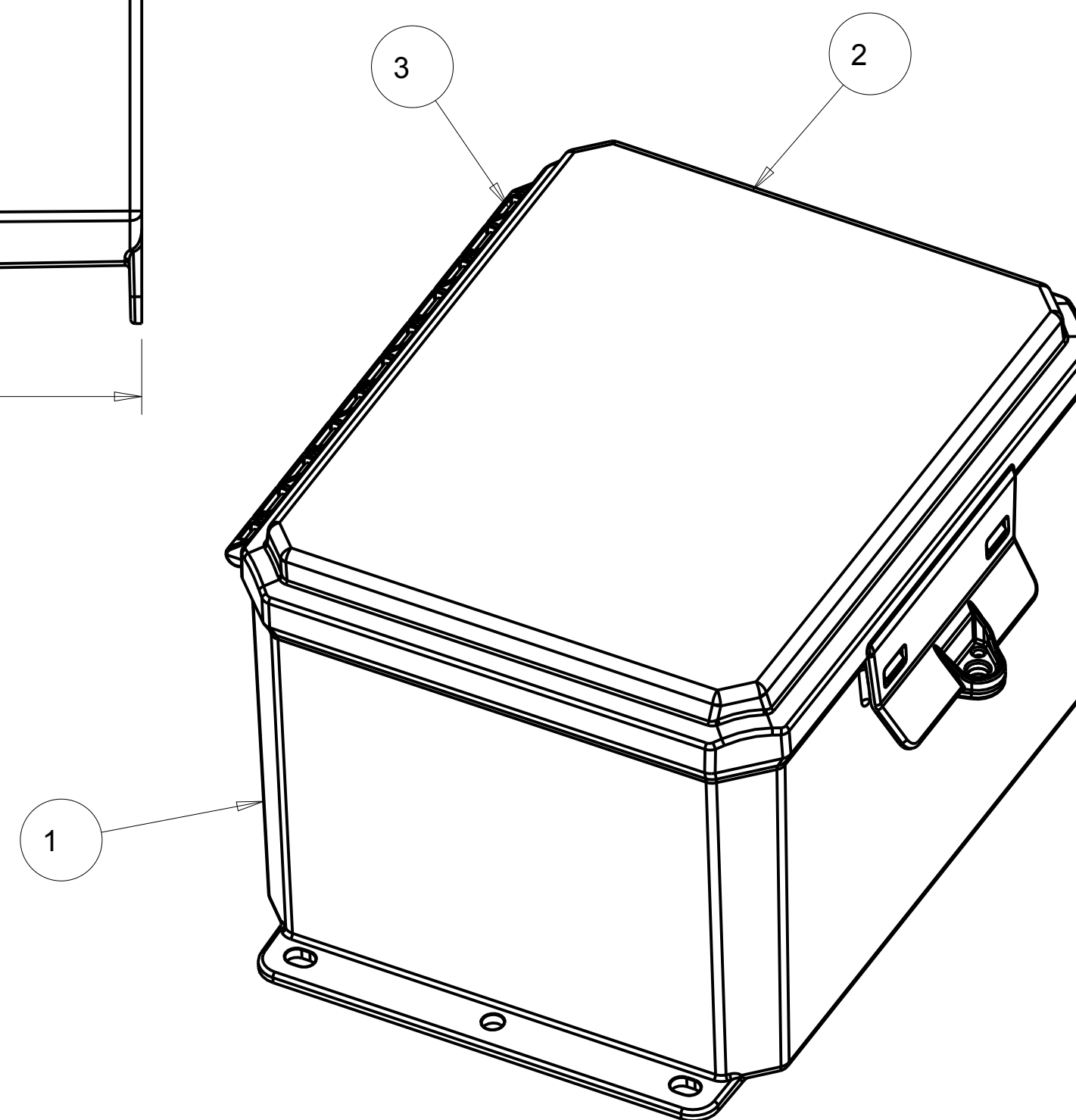
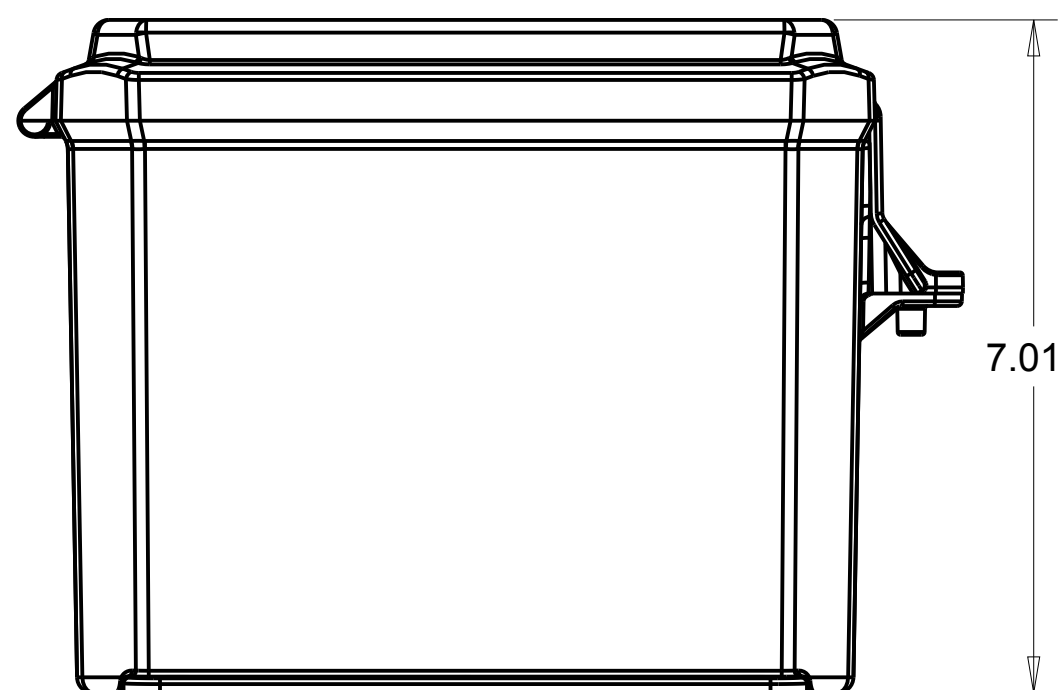
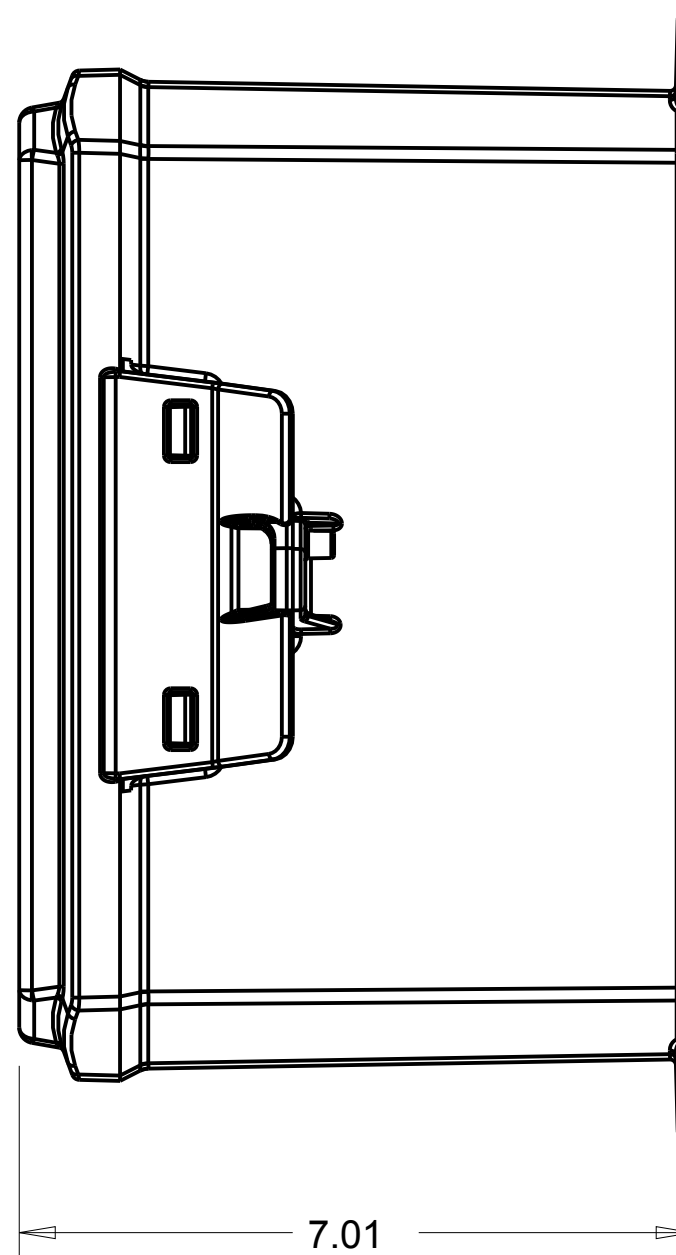
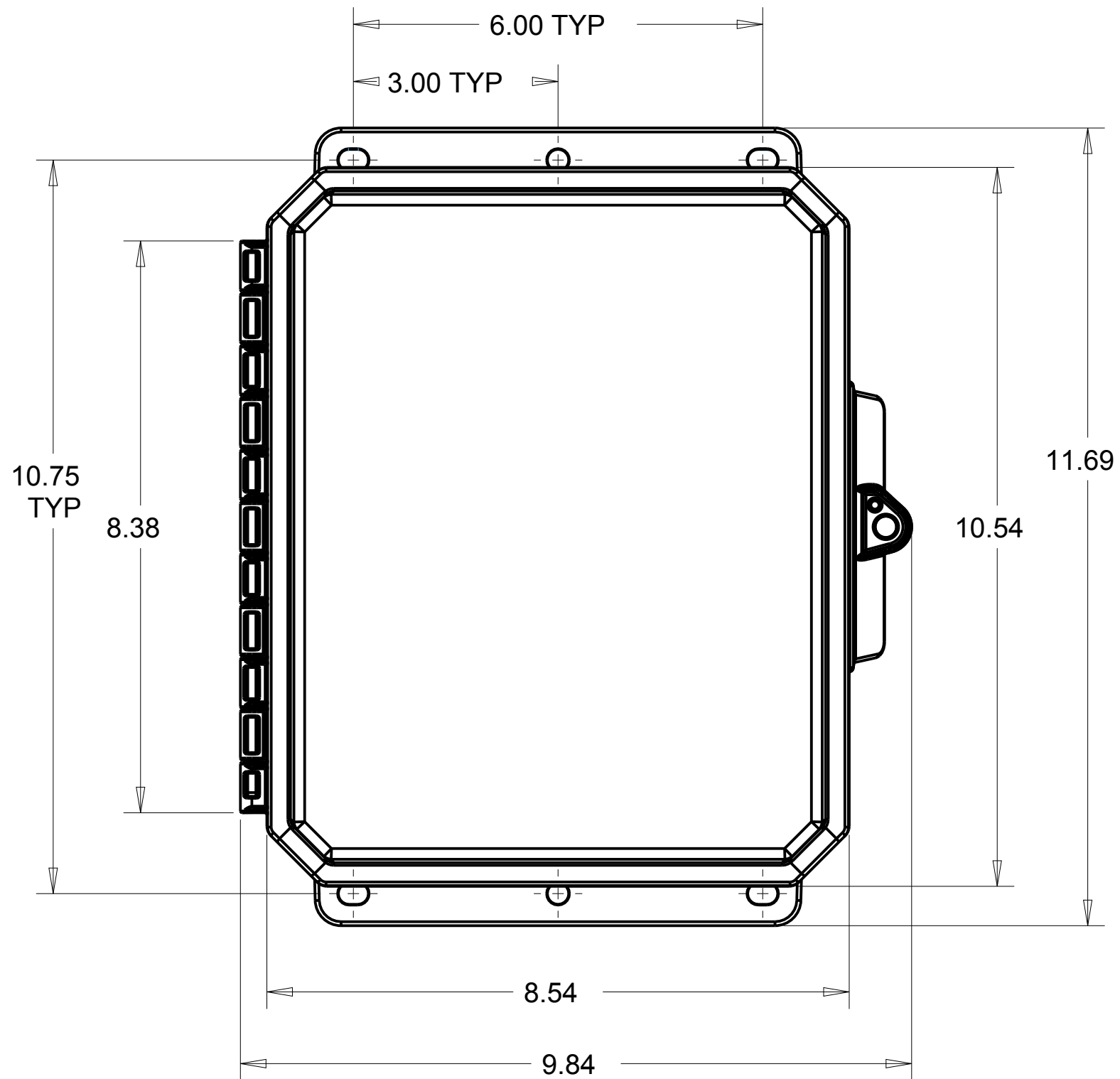


Item	PartNo	Rev	Description	Qty
1	P1086BLP	C	10X8X6 IMPACT,LOW PROFILE EXTERNAL	1
2	P108CLPO	E	10X8 IMPACT,LOW PROFILE EXTERNAL	1
3	RM-HNG-PIN-125DIA		10X8 HINGE PIN, STAINLESS STEEL	1



PART NUMBER: P10086LP

						<small>MUM INDUSTRIES 7750 TYLER BLVD MENTOR, OHIO (440) 289-8155 FAX (440) 289-8188</small>	
<small>DEFAULT TOLERANCES</small> DECIMAL .XX ±0.01 .XXX ±0.005 FRACTIONAL ± 1/64 ANGULAR ±1°		<small>SCALE</small> 1/2:1	<small>SHEET</small> 1 of 1	<small>DRAWN BY</small> W.TIDWELL			
<small>REV</small> A RELEASED TO PRODUCTION AT REV A				<small>W.T.</small> 11-16-11	<small>DATE</small> 11.16.11		<small>DRAWING NUMBER</small> P10086LP
<small>DESCRIPTION</small>				<small>BY</small>	<small>DATE</small>	<small>ECN NO.</small>	<small>APPROVED BY</small>
				<small>TITLE</small> 10X8X6 IMPACT,LOW PROFILE HINGE, INTEGRATED LOCKING LATCH ASSY		<small>REV</small> A	