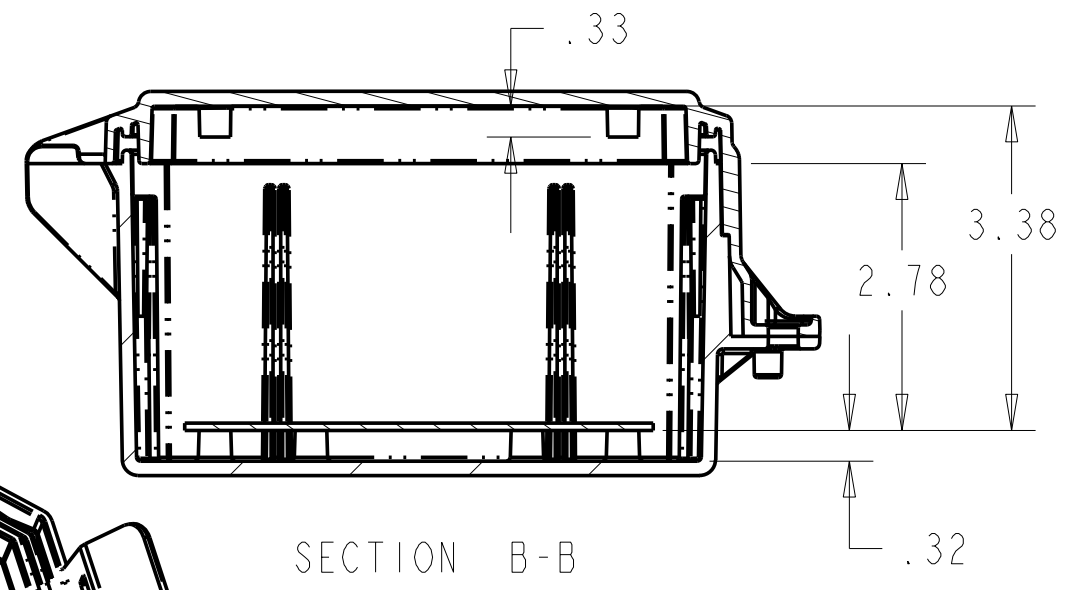
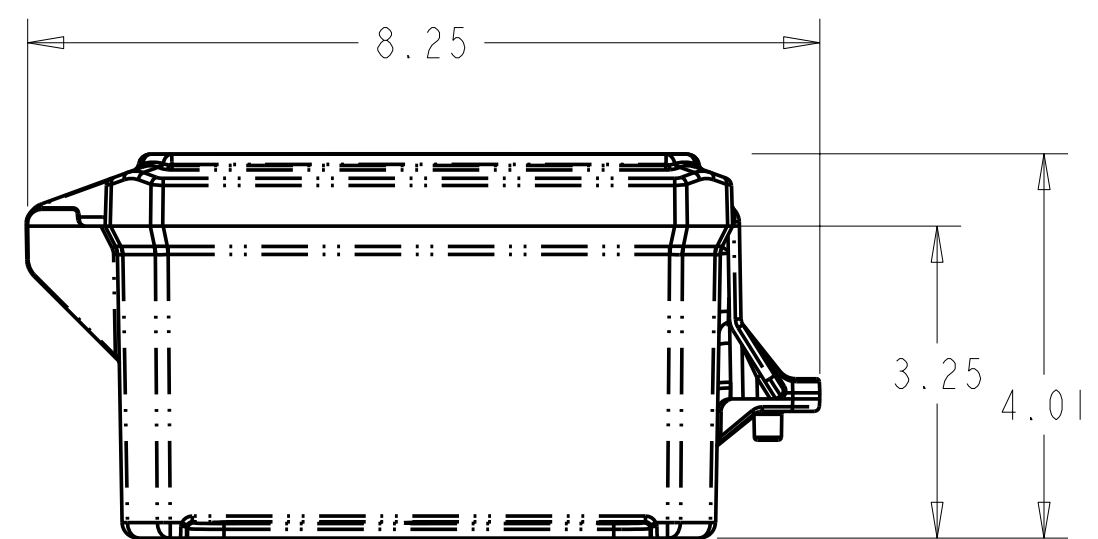


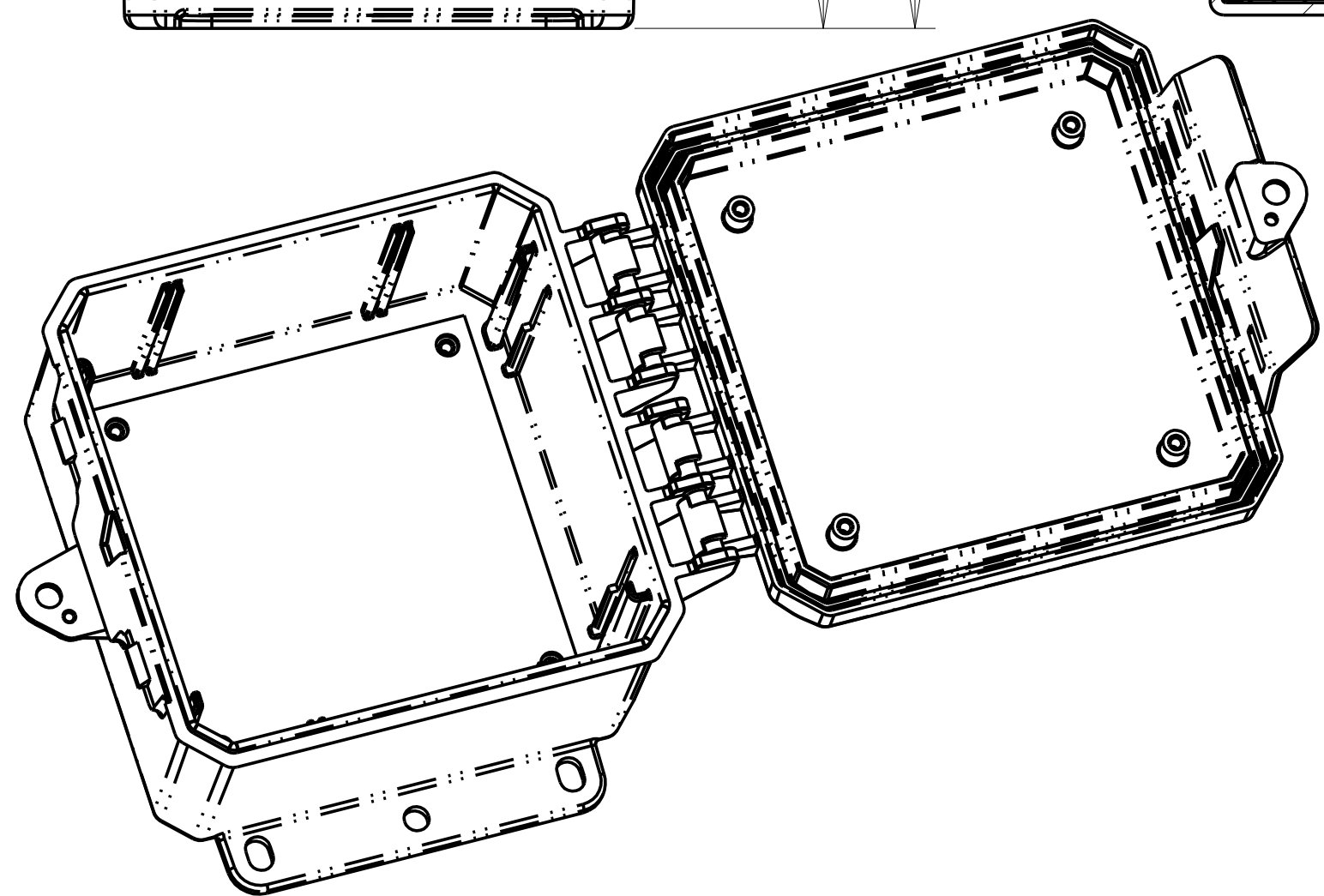
SECTION D-D

SECTION C-C



SECTION B-B

PART NO.	P6063
REVISION	-



DO NOT SCALE DRAWING

INTEGRA INC.
MENTOR, OHIO

6X6X3 ENCLOSURE

CONFIDENTIAL
THIS PRINT AND THE SPECIFICATIONS ARE THE PROPERTY OF INTEGRA INC. AND HAS BEEN ISSUED WITH THE UNDERSTANDING THAT IT WILL NOT BE REPRODUCED, REVEALED TO, OR USED FOR MANUFACTURE FOR OTHERS, AND WILL BE RETURNED UPON REQUEST.
(C) DATE 12-1-09
INTEGRA INC.
ALL RIGHTS RESERVED.
TOLERANCES
ALL DIMENSIONS EXCEPT WHERE OTHERWISE SHOWN.
ANGLES ± 0°30'
DECIMALS ± .01 XX ±.005 XXX
FRACTIONS ± -

REVISIONS					
REVISION	REVISION LOCATION	DESCRIPTION	BY	DATE	ECN NO.

SCALE	1/2	PART NO.	SHT. 1 OF 1
DR. BY	MC Design	P6063	
CHK'D.		REVISION	-
DATE	12-1-09		