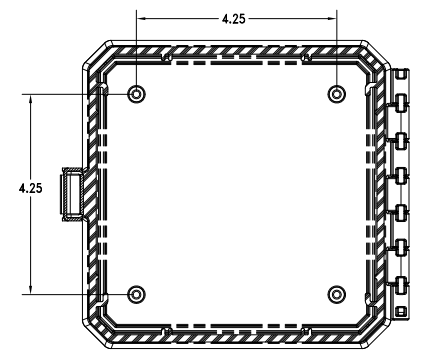
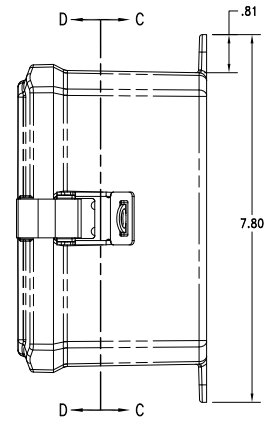
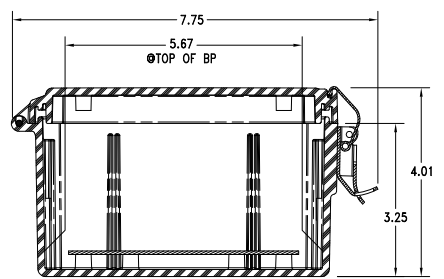


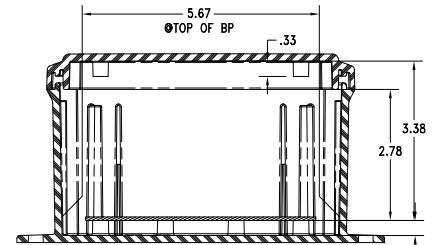
SECTION C-C



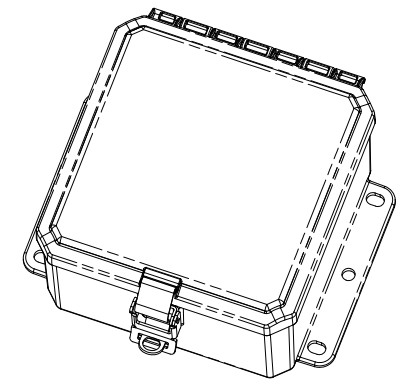
SECTION D-D



SECTION B-B



SECTION A-A



RELEASED TO PRODUCTION AT REV A		W.I.	12-2-13	REV	81*	PROGRAM	DATE	12.02.13	BRIDGE NUMBER	P6063LP LL	REV	A
REVISION		BY	CHK	APP'D								

REF: ALL TOLERANCES UNLESS SPECIFIED FINISH: XX ±.003 (XXX ±.000) FRACTION: ± 1/64	INTEGRA ENCLURES FULL 1 of 1 6X6X3 LP HINGED BOX ASSEMBLY	DRAWN BY: W.TIDWELL CHECKED BY:
--	--	------------------------------------