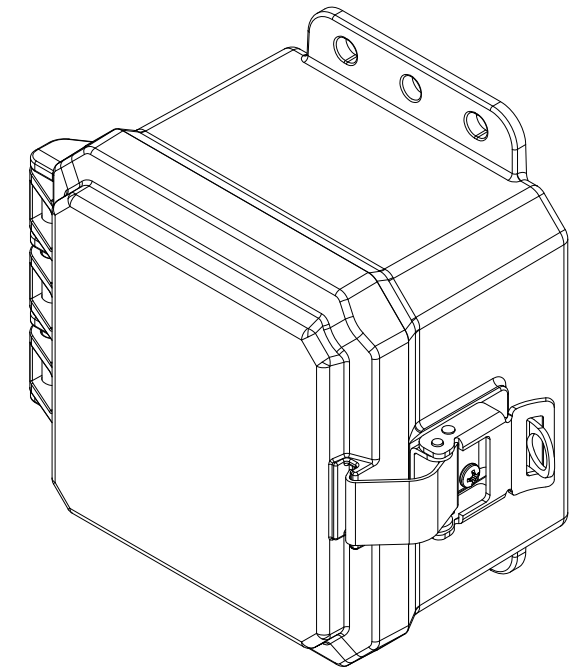
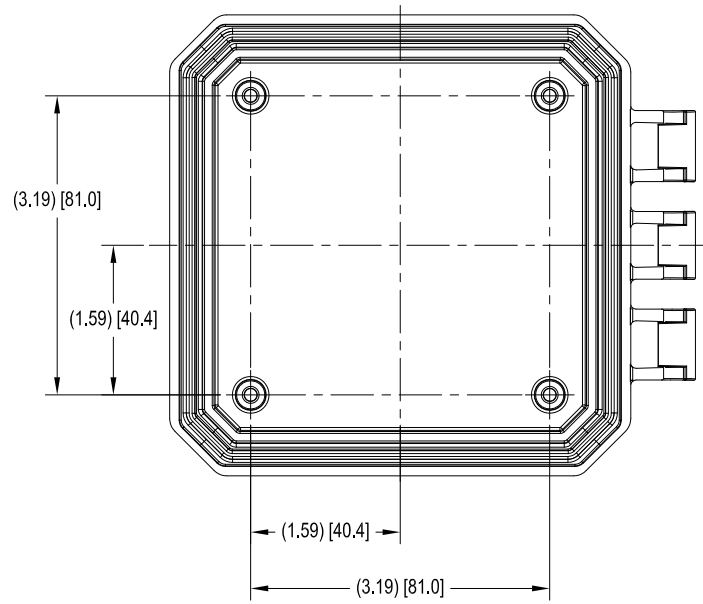
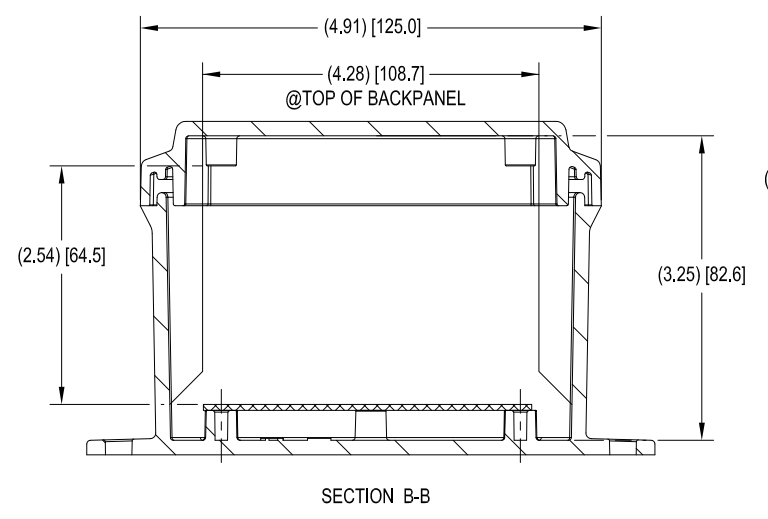
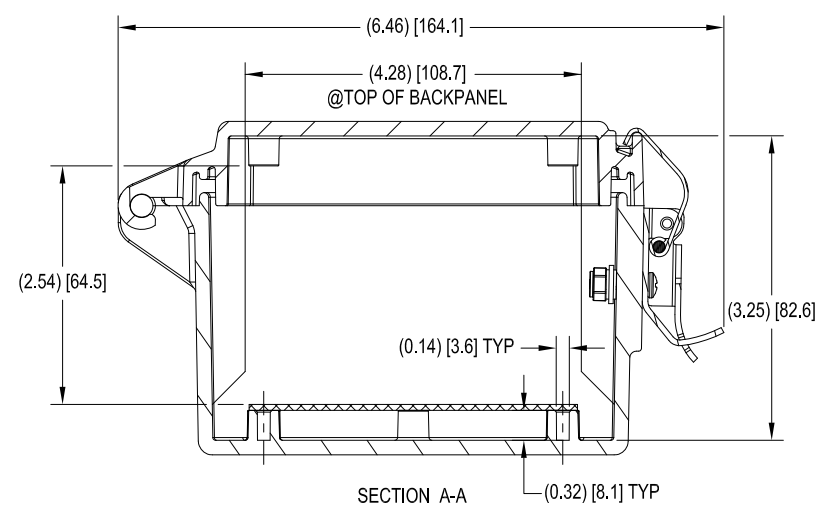


COVER NOT SHOWN FOR CLARITY



⌀ DIMENSIONS IN INCHES (UNLESS SPECIFIED)

PROPRIETARY AND CONFIDENTIAL: THE INFORMATION CONTAINED IN THIS/ THESE DRAWING(S) IS/ ARE THE SOLE PROPERTY OF MUM INDUSTRIES, INC. ANY REPRODUCTION IN PART OR AS A WHOLE WITHOUT THE WRITTEN PERMISSION OF MUM INDUSTRIES, INC. IS PROHIBITED.		MUM INDUSTRIES, INC. 7750 TYLER BOULEVARD MENTOR, OHIO 44060	P: 440-294-4155 F: 440-294-4168 E: INFO@MUMINDUSTRIES.COM
DEFAULT TOLERANCES UNLESS SPECIFIED DECIMAL (INCHES) .XX .XXX FRACTIONAL	SIZE D DATE 07-21-2016	SCALE 1:1 SHEET 1 of 1 DRAWING NUMBER P4043LL	DRAWN BY W. TIDWELL TITLE P4043 EZ HINGE, LOCKING LATCH REV