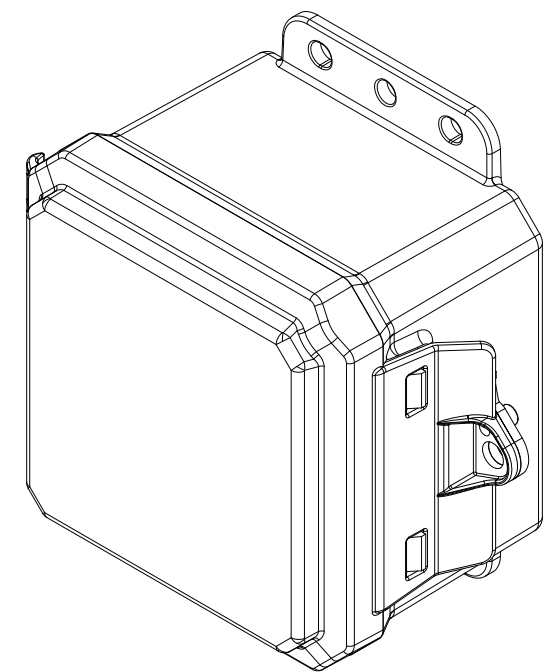
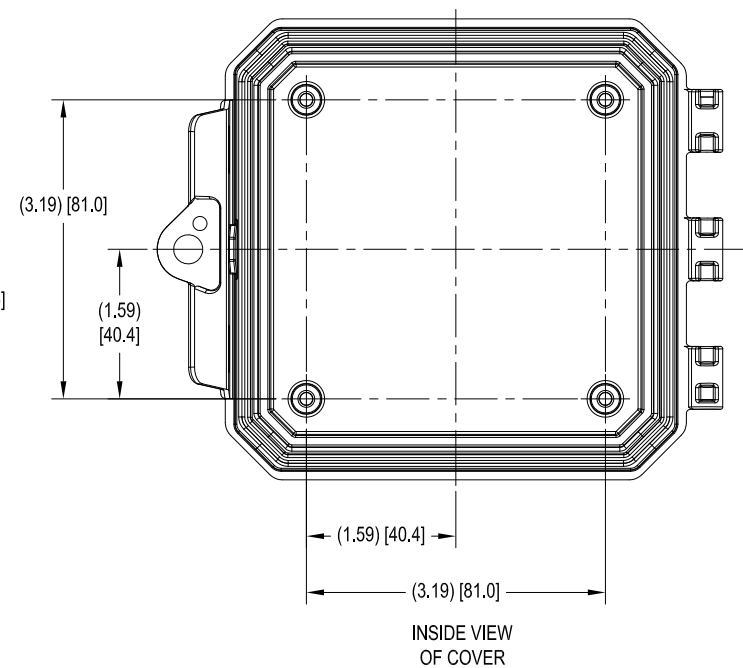
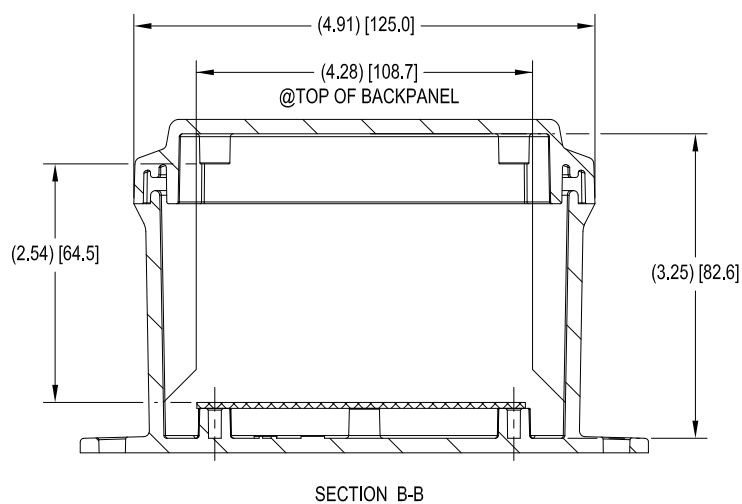
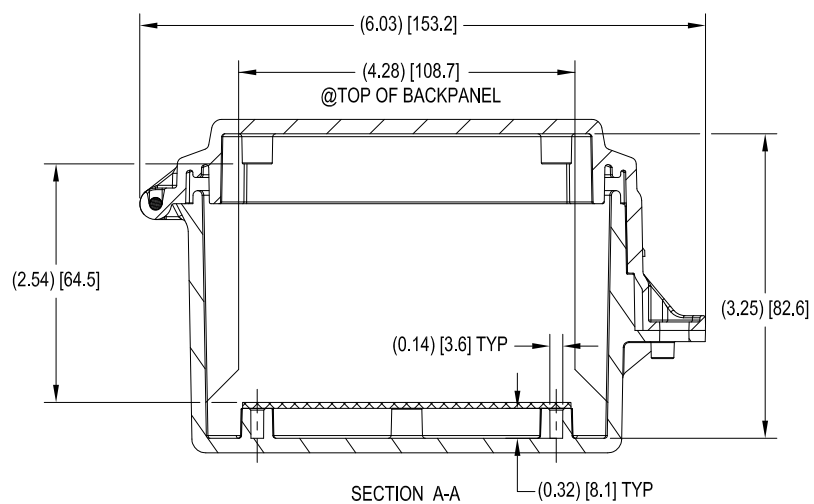


COVER NOT SHOWN FOR CLARITY



⌀ DIMENSIONS IN INCHES (UNLESS SPECIFIED)

<small>DEFAULT TOLERANCES UNLESS SPECIFIED</small> <small>DECIMAL (INCHES) .XX .XXX</small> <small>FRACTIONAL</small>		<b>MUM INDUSTRIES, INC.</b> <small>7750 TYLER BOULEVARD MENTOR, OHIO 44060</small> <small>P: 440-298-8155 F: 440-298-8168 E: INFO@MUMINDUSTRIES.COM</small>		<small>SIZE</small> <b>D</b>	<small>SCALE</small> <b>1:1</b>	<small>SHEET</small> <b>1 of 1</b>	<small>DRAWN BY</small> <b>W. TIDWELL</b>
<small>PROPRIETARY AND CONFIDENTIAL: THE INFORMATION CONTAINED IN THIS/ THESE DRAWING(S) IS/ ARE THE SOLE PROPERTY OF MUM INDUSTRIES, INC. ANY REPRODUCTION IN PART OR AS A WHOLE WITHOUT THE WRITTEN PERMISSION OF MUM INDUSTRIES, INC. IS PROHIBITED.</small>		<small>TITLE</small> <b>P4043 LP HINGE, INT LOCK LATCH</b>	<small>DATE</small> <b>07-21-2016</b>	<small>DRAWING NUMBER</small> <b>P4043LP</b>	<small>REV</small>		