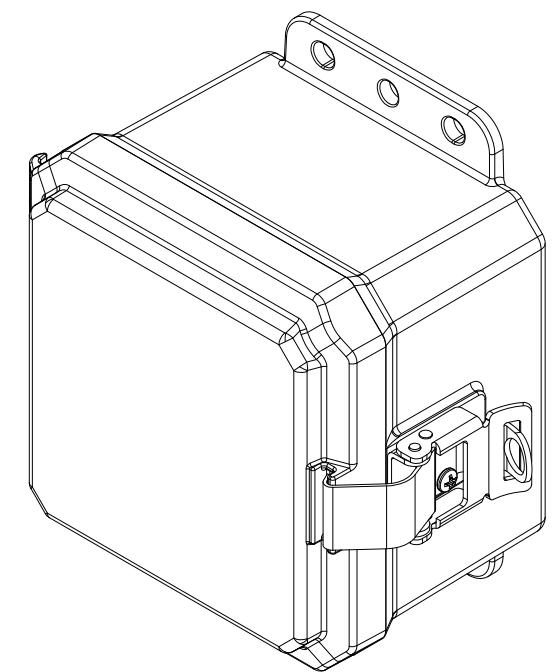
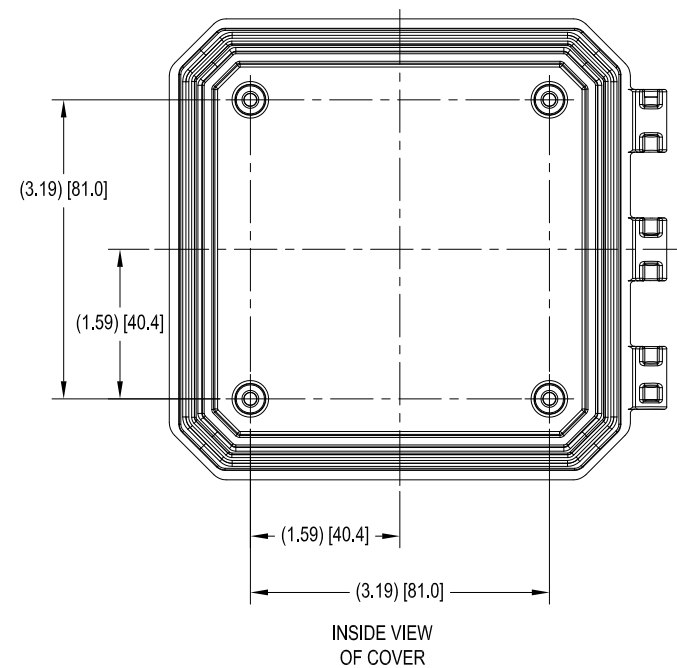
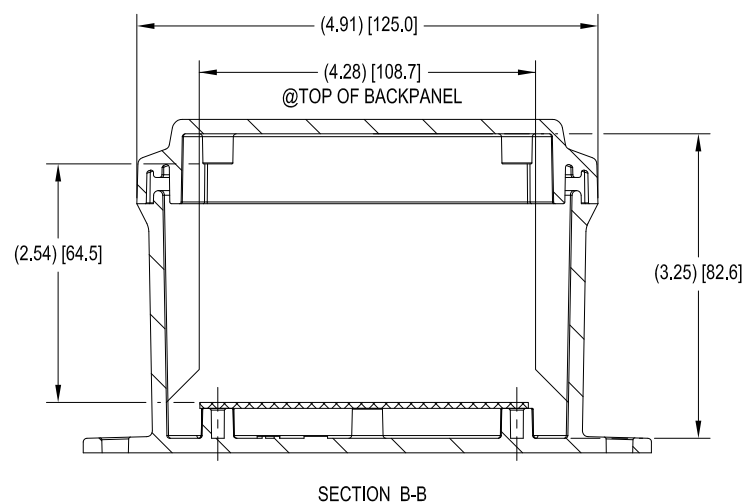
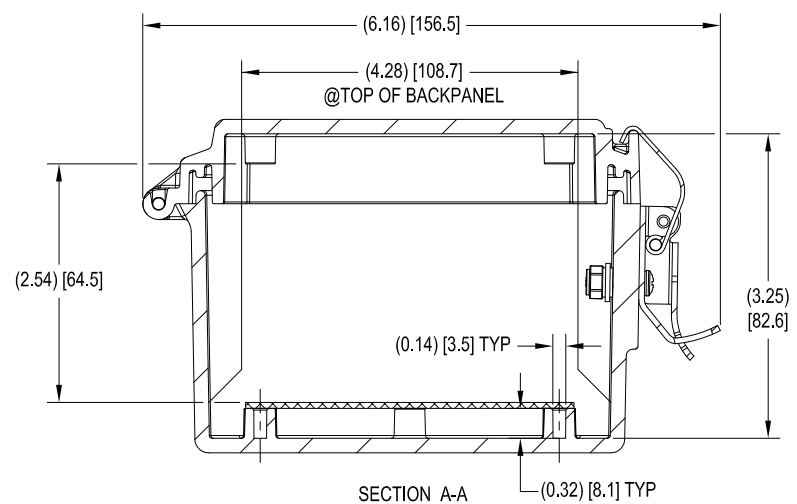
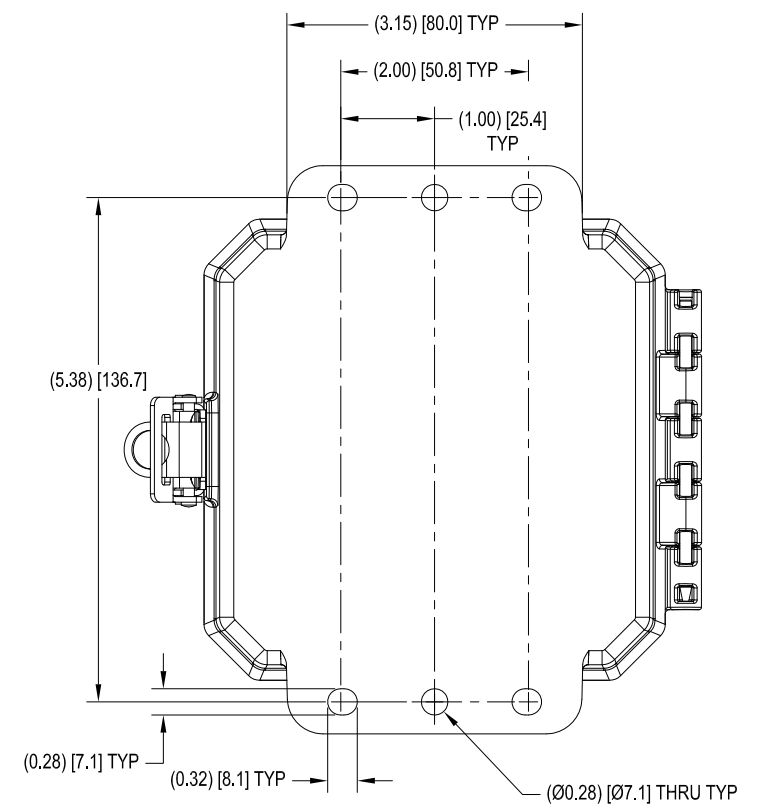
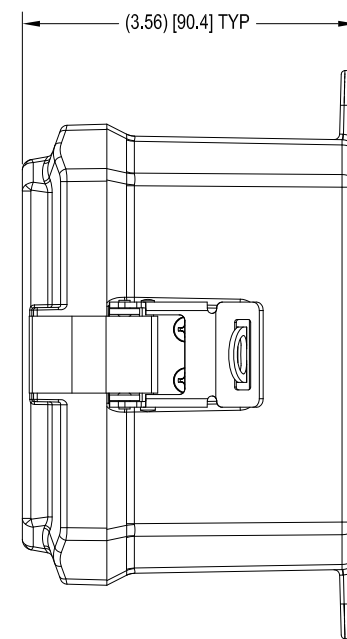


COVER NOT SHOWN FOR CLARITY



⌀ DIMENSIONS IN INCHES (UNLESS SPECIFIED)

<small>DEFAULT TOLERANCES UNLESS SPECIFIED</small> <small>DECIMAL (INCHES) .XX .XXX</small> <small>FRACTIONAL</small>		MUM INDUSTRIES, INC. <small>7750 TYLER BOULEVARD MENTOR, OHIO 44060</small>		<small>P: 440-294-4155 F: 440-294-4166 E: INFO@MUMINDUSTRIES.COM</small>	
SIZE	SCALE	SHEET	DRAWN BY		
D	1:1	1 of 1	W. TIDWELL		
TITLE		DRAWING NUMBER			
P4043 LP HINGE, LOCKING LATCH		P4043LPCLL			
DATE	REV				
07-21-2016					

PROPRIETARY AND CONFIDENTIAL:
 THE INFORMATION CONTAINED IN THIS/ THESE DRAWING(S) IS/ ARE THE SOLE PROPERTY OF MUM INDUSTRIES, INC.
 ANY REPRODUCTION IN PART OR AS A WHOLE WITHOUT THE WRITTEN PERMISSION OF MUM INDUSTRIES, INC. IS PROHIBITED.