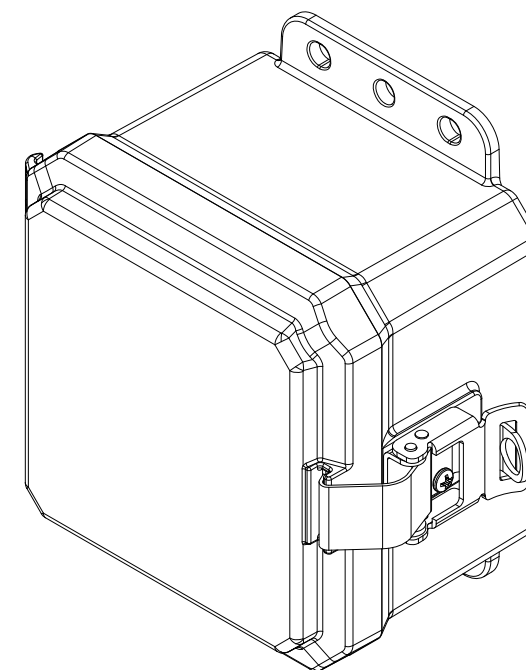
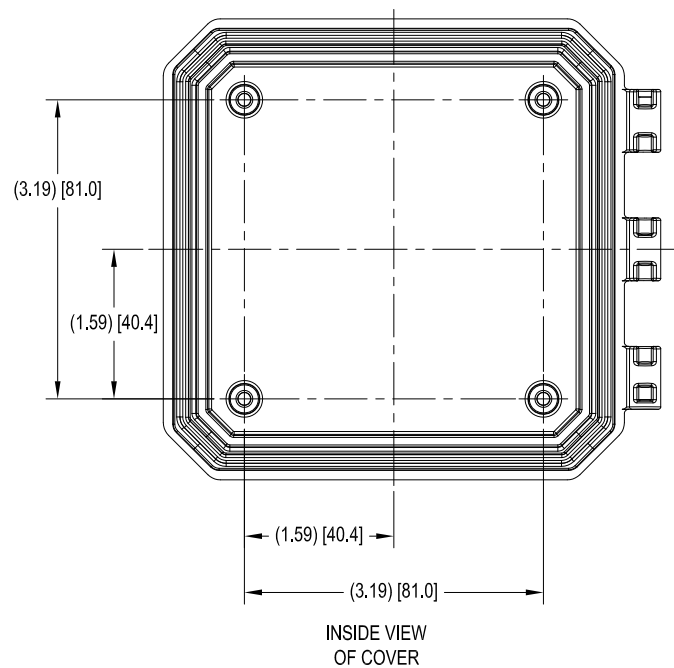
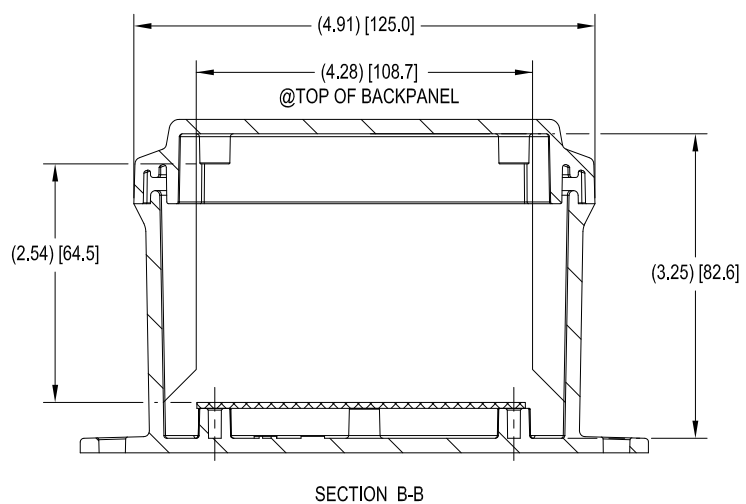
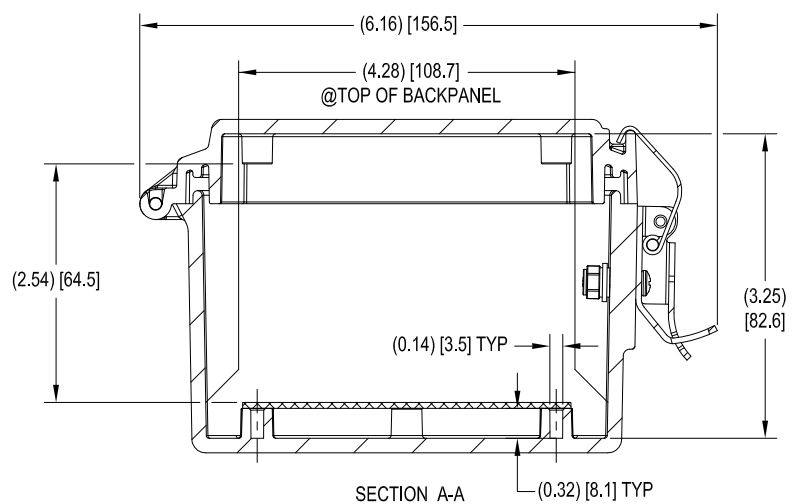
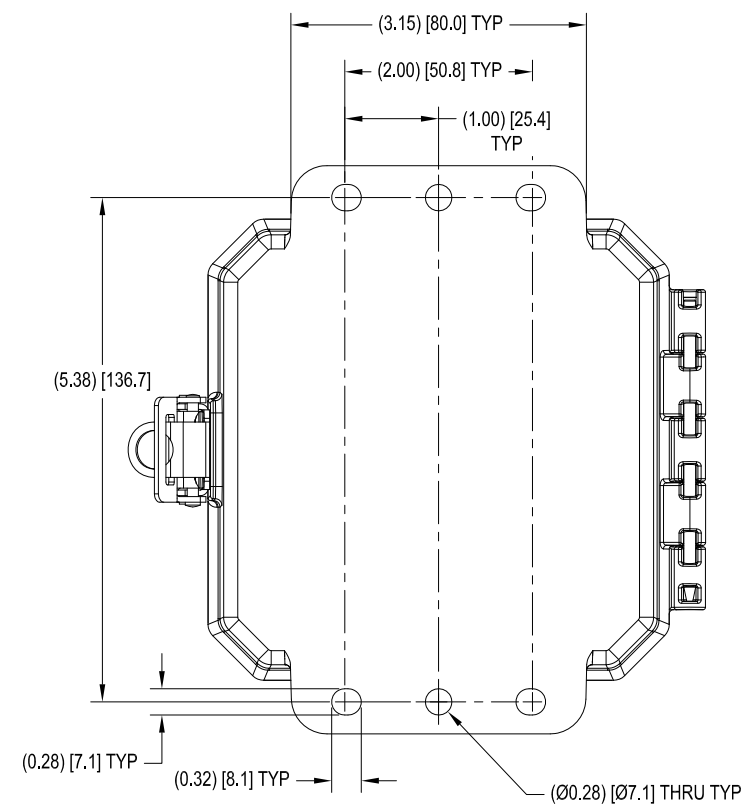
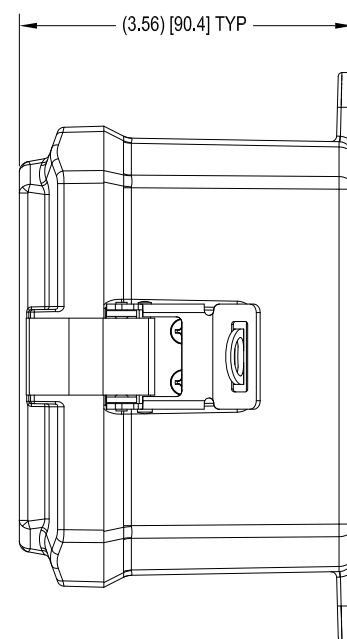


COVER NOT SHOWN FOR CLARITY



⌀ DIMENSIONS IN INCHES (UNLESS SPECIFIED)

PROPRIETARY AND CONFIDENTIAL:
THE INFORMATION CONTAINED IN THIS/ THESE DRAWING(S) IS/ ARE THE
SOLE PROPERTY OF MUM INDUSTRIES, INC.
ANY REPRODUCTION IN PART OR AS A WHOLE WITHOUT THE WRITTEN
PERMISSION OF MUM INDUSTRIES, INC. IS PROHIBITED.

DEFAULT TOLERANCES UNLESS SPECIFIED	MUM INDUSTRIES, INC. 7750 TYLER BOULEVARD MENTOR, OHIO 44060		P: 440-294-4155 F: 440-294-4166 E: INFO@MUMINDUSTRIES.COM	
DECIMAL (INCHES) .XX .XXX	SIZE D	SCALE 1:1	SHEET 1 of 1	DRAWN BY W. TIDWELL
FRACTIONAL	TITLE P4043 LP HINGE, LOCKING LATCH			
ANGULAR	DATE 07-21-2016	DRAWING NUMBER P4043LPLL	REV	