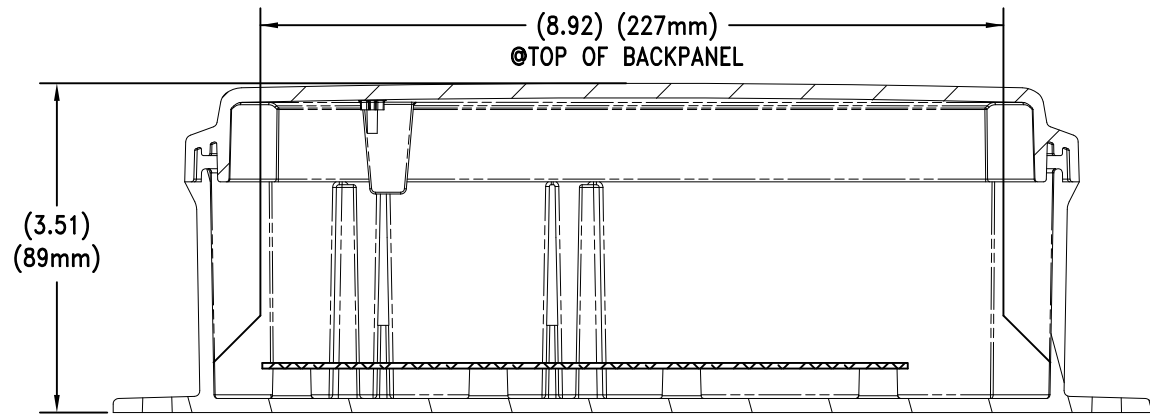
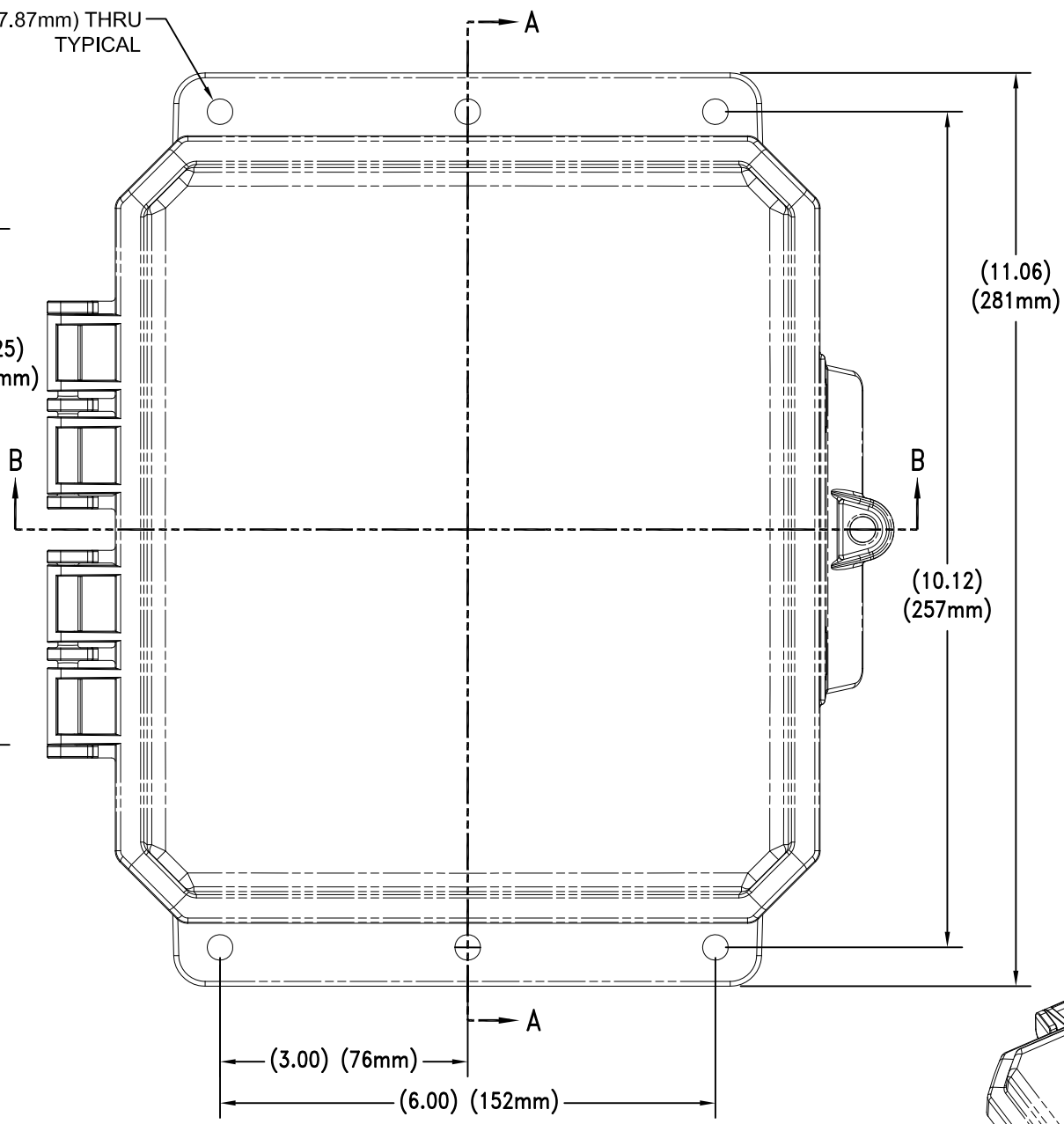
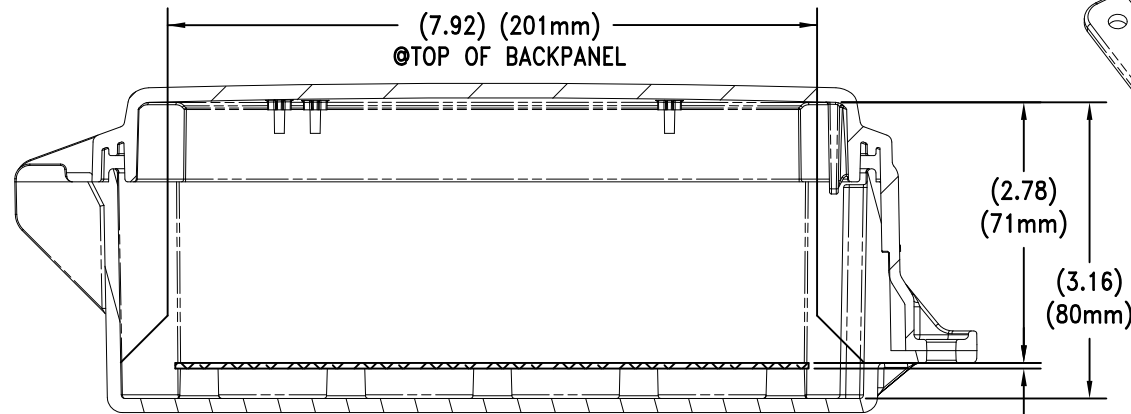


Ø(0.31) (7.87mm) THRU TYPICAL



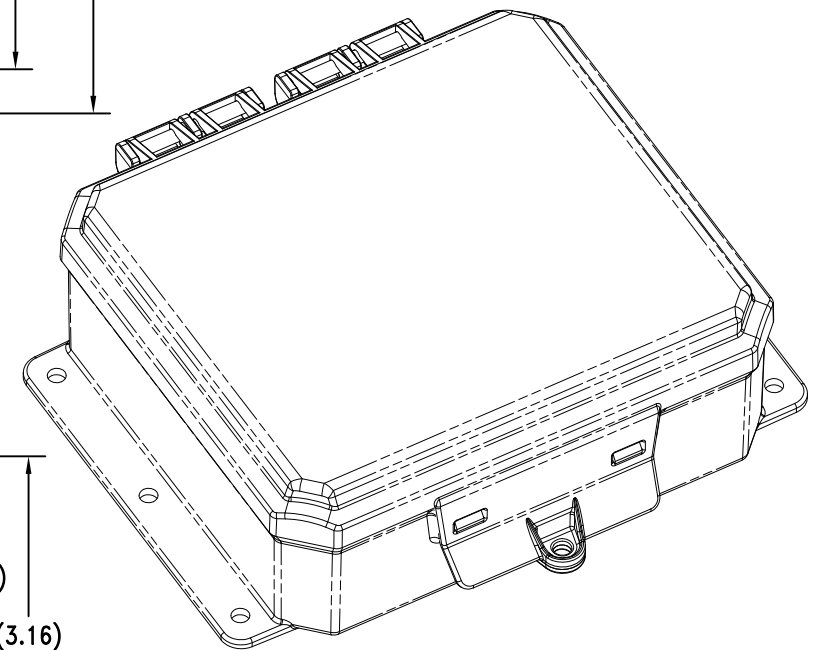
⑧TOP OF BACKPANEL

SECTION A-A



⑧TOP OF BACKPANEL

SECTION B-B



Ⓢ DIMENSIONS IN INCHES (UNLESS SPECIFIED)

DEFAULT TOLERANCES UNLESS SPECIFIED	MUM INDUSTRIES, INC. 7750 TYLER BOULEVARD MENTOR, OHIO 44060		P: 440-269-8155 F: 440-269-8166 E: INFO@MUMINDUSTRIES.COM
DECIMAL (INCHES) .XX .XXX	SIZE D	SCALE 1:1	SHEET 1 of 1
FRACTIONAL	TITLE 9X8X2 ENCLOSURE ASSEMBLY		DRAWN BY W. TIDWELL
ANGULAR	DATE 02-16-2016	DRAWING NUMBER P9082	REV

PROPRIETARY AND CONFIDENTIAL:  
THE INFORMATION CONTAINED IN THIS/DRAWING(S)  
IS/ARE THE SOLE PROPERTY OF MUM INDUSTRIES, INC.  
ANY REPRODUCTION IN PART OR AS A WHOLE WITHOUT  
THE WRITTEN PERMISSION OF MUM INDUSTRIES, INC. IS  
PROHIBITED.