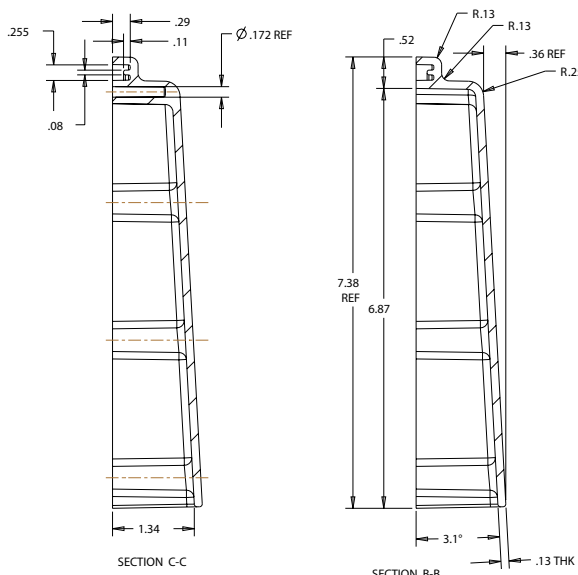
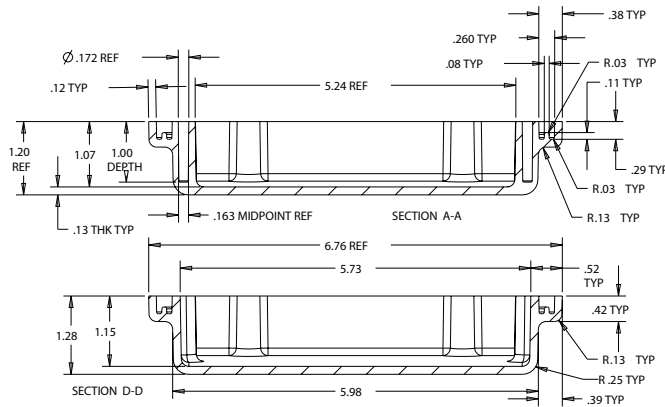
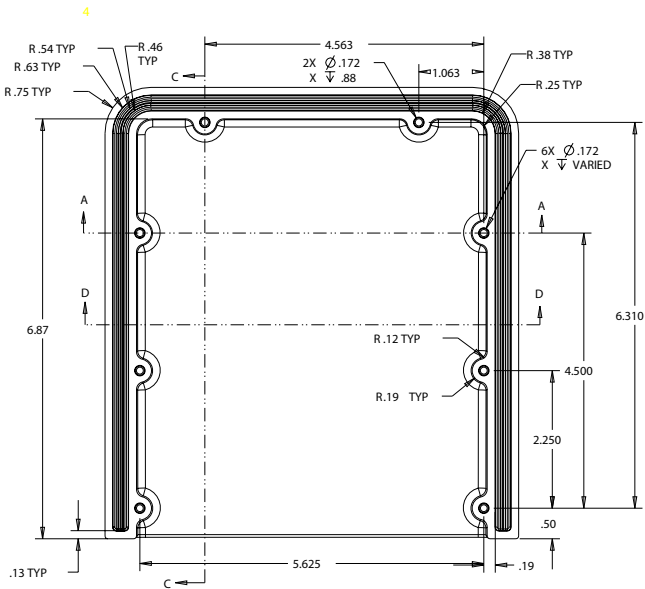


KEEPING THE ELEMENTS OUT



APPLICATION

Our Fan Shroud Kits are designed to keep the elements out of your enclosure while allowing the free air movement from your filtered fan packages.

INSTALLATION

Shrouds are sized to fit neatly over your openings and fans.

SPECIFICS

- Polycarbonate
- Maintains NEMA 3R
- Include Gaskets On All Three Edges
- Kits Include All Mounting Hardware & Template

PART NUMBERS

FS KIT - 1 (contains 1 shroud and gasket and 8 screws)

FS KIT - 2 (contains 2 shrouds and gaskets and 16 screws)



ABOUT INTEGRA ENCLOSURES

Integra manufactures and markets thermoplastic enclosures designed for use in construction, water treatment, utility, telecommunication, instrumentation, remote monitoring, energy and other applications requiring enclosures that are non-corrosive, non-conductive, easy to install/modify and competitively priced.