



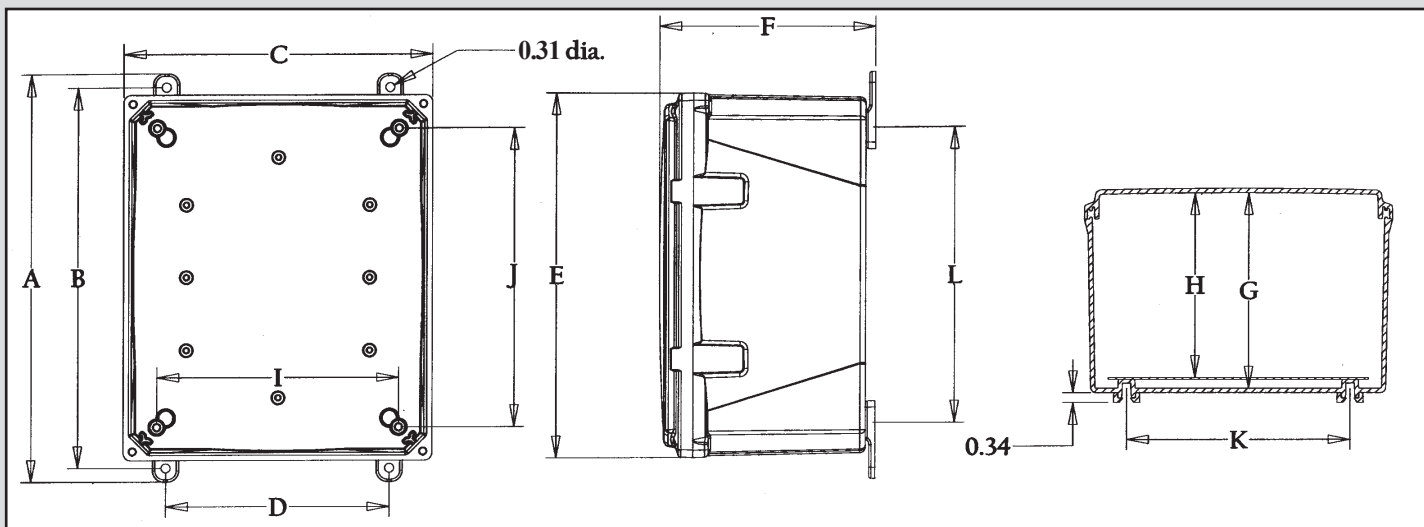
DIMENSIONS FOR ALL ENCLOSURES

Enclosure Dimensions	A	B*	C	D*	E	F	G	H	I x J	K	L	Panel Size
6"x6"x4" Screw Cover	8.00	7.10	6.50	3.60	6.50	5.20	4.75	4.25	4.25x4.25	3.60	3.60	4.88x4.88
6"x6"x4" Hinge Cover	8.00	7.10	7.40	3.60	6.50	5.20	4.75	4.25	4.25x4.25	3.60	3.60	4.88x4.88
8"x6"x4" Screw Cover	9.75	8.75	6.44	4.00	8.44	5.20	4.75	4.25	4.25x6.25	4.00	5.25	6.75x4.88
8"x6"x4" Hinge Cover	9.75	8.75	7.36	4.00	8.44	5.20	4.75	4.25	4.25x6.25	4.00	5.25	6.75x4.88
8"x8"x4" Screw Cover	9.70	9.45	8.50	5.20	8.40	5.20	4.75	4.25	6.25x6.25	5.25	6.00	6.75x6.75
8"x8"x4" Hinge Cover	9.70	9.45	9.30	5.20	8.40	5.20	4.75	4.25	6.25x6.25	5.25	6.00	6.75x6.75
10"x8"x4" Screw Cover	12.25	11.10	8.50	5.63	10.50	5.20	4.75	4.25	6.25x8.25	5.63	7.62	8.75x6.88
10"x8"x4" Hinge Cover	12.25	11.10	9.30	5.63	10.50	5.20	4.75	4.25	6.25x8.25	5.63	7.62	8.75x6.88
10"x8"x6" Screw Cover	12.00	11.10	8.50	5.63	10.50	7.25	6.75	6.25	6.25x8.25	5.63	7.62	8.75x6.88
10"x8"x6" Hinge Cover	12.00	11.10	9.30	5.63	10.50	7.25	6.75	6.25	6.25x8.25	5.63	7.62	8.75x6.88
12"x10"x4" Screw Cover	14.00	12.75	10.50	8.00	12.50	5.20	4.75	4.25	8.25x10.25	8.00	9.25	10.75x8.88
12"x10"x4" Hinge Cover	14.00	12.75	11.50	8.00	12.50	5.20	4.75	4.25	8.25x10.25	8.00	9.25	10.75x8.88
12"x10"x6" Screw Cover	14.00	13.13	10.50	7.60	12.50	7.25	6.75	6.25	8.25x10.25	7.60	9.63	10.75x8.88
12"x10"x6" Hinge Cover	14.00	13.13	11.50	7.60	12.50	7.25	6.75	6.25	8.25x10.25	7.60	9.63	10.75x8.88
14"x12"x6" Screw Cover	15.75	14.75	12.58	10.00	14.58	7.30	6.75	6.25	10.25x12.25	10.00	11.25	12.75x10.88
14"x12"x6" Hinge Cover	15.75	14.75	13.50	10.00	14.58	7.30	6.75	6.25	10.25x12.25	10.00	11.25	12.75x10.88
16"x14"x7" Screw Cover	17.63	16.75	14.50	12.00	16.50	8.50	8.00	7.50	12.25x14.25	12.00	13.25	14.75x12.88
16"x14"x7" Hinge Cover	17.63	16.75	15.00	12.00	16.50	8.50	8.00	7.50	12.25x14.25	12.00	13.25	14.75x12.88
18"x16"x10" Screw Cover	19.56	18.75	17.00	14.00	19.00	11.50	11.00	10.50	14.25x16.25	14.00	15.25	16.75x14.88
18"x16"x10" Hinge Cover	19.56	18.75	17.75	14.00	19.00	11.50	11.00	10.50	14.25x16.25	14.00	15.25	16.75x14.88

- A: Overall Length **
- B: Mounting Feet Hole Spacing/Length **
- C: Overall Width **
- D: Mounting Feet Hole Spacing/Width **
- E: Overall Enclosure Length **
- F: Overall Enclosure Height **
- G: Internal Height **
- H: Internal Height Above Back Panel **
- I: Internal Panel Mounting Boss Width **
- J: Internal Panel Mounting Boss Length **
- K: Mounting Feet Attachment Boss Width **
- L: Mounting Feet Attachment Boss Length **

* These dimensions are valid when mounting feet are used. The dimensions are not valid when flanges are used as the mounting system. Contact the factory for the exact dimensions when using flanger.

** Table header references apply the same to both standard and metric dimensions





DIMENSIONS FOR ALL ENCLOSURES (METRIC)

Enclosure Dimensions	A	B*	C	D*	E	F	G	H	I x J	K	L	Panel Size
6"X6"X4" Screw Cover	203.20	180.34	165.10	91.44	165.10	132.08	120.65	107.95	107.95x107.95	91.44	91.44	123.95x123.95
6"X6"X4" Hinge Cover	203.20	180.34	187.96	91.44	165.10	132.08	120.65	107.95	107.95x107.95	91.44	91.44	123.95x123.95
8"X6"X4" Screw Cover	247.65	222.25	165.10	101.60	214.38	132.08	120.65	107.95	107.95x158.75	101.60	133.35	171.45x123.95
8"X6"X4" Hinge Cover	247.65	222.25	187.96	101.60	214.38	132.08	120.65	107.95	107.95x158.75	101.60	133..5	171.45x123.95
8"X8"X4" Screw Cover	246.38	240.03	213.36	132.08	213.36	132.08	120.65	107.95	158.75x158.75	133.35	152.40	171.45x171.45
8"X8"X4" Hinge Cover	246.38	240.03	236.22	132.08	213.36	132.08	120.65	107.95	158.75x158.75	133.35	152.40	171.45x171.45
10"X8"X4" Screw Cover	311.15	281.94	215.90	142.88	266.70	132.08	120.65	107.95	158.75x209.55	142.88	193.55	222.25x174.75
10"X8"X4" Hinge Cover	311.15	281.94	234.95	142.88	266.70	132.08	120.65	107.95	158.75x209.55	142.88	193.55	222.25x174.75
10"X8"X6" Screw Cover	304.80	281.94	215.90	142.88	266.70	184.15	171.45	158.75	158.75x209.55	142.88	193.55	222.25x174.75
10"X8"X6" Hinge Cover	304.80	281.94	234.95	142.88	266.70	184.15	171.45	158.75	158.75x209.55	142.88	193.55	222.25x174.75
12"X10"X4" Screw Cover	355.60	323.85	266.70	203.20	317.50	132.08	120.65	107.95	209.55x260.35	203.20	234.95	273.05x225.55
12"X10"X4" Hinge Cover	355.60	323.85	292.10	203.20	317.50	132.08	120.65	107.95	209.55x260.35	203.20	234.95	273.05x225.55
12"X10"X6" Screw Cover	355.60	333.50	266.70	193.04	317.50	184.15	171.45	158.75	209.55x260.35	193.04	244.60	273.05x225.55
12"X10"X6" Hinge Cover	355.60	333.50	292.10	193.04	317.50	184.15	171.45	158.75	209.55x260.35	193.04	244.60	273.05x225.55
14"X12"X6" Screw Cover	400.05	374.65	330.20	254.00	370.33	185.42	171.45	158.75	260.35x311.15	254.00	285.75	323.85x276.35
14"X12"X6" Hinge Cover	400.05	374.65	342.90	254.00	370.33	185.42	171.45	158.75	260.35x311.15	254.00	285.75	323.85x276.35
16"X14"X7" Screw Cover	447.80	425.45	368.30	304.80	419.10	215.90	203.20	190.50	311.15x361.95	304.80	336.55	374.65x327.15
16"X14"X7" Hinge Cover	447.80	425.45	381.00	304.80	419.10	215.90	203.20	190.50	311.15x361.95	304.80	336.55	374.65x327.15
18"X16"X10" Screw Cover	496.82	476.25	431.80	355.60	482.60	292.10	279.40	266.70	361.95x412.75	355.60	387.35	425.45x377.92
18"X16"X10" Hinge Cover	496.82	476.25	450.85	355.60	482.60	292.10	279.40	266.70	361.95x412.75	355.60	387.35	425.45x377.92

- | | |
|--------------------------------------|---|
| A: Overall Length | G: Internal Height |
| B: Mounting Feet Hole Spacing/Length | H: Internal Height Above Back Panel |
| C: Overall Width | I: Internal Panel Mounting Boss Width |
| D: Mounting Feet Hole Spacing/Width | J: Internal Panel Mounting Boss Length |
| E: Overall Enclosure Length | K: Mounting Feet Attachment Boss Width |
| F: Overall Enclosure Height | L: Mounting Feet Attachment Boss Length |

* These dimensions are valid when mounting feet are used. The dimensions are not valid when flanges are used as the mounting system. Contact the factory for the exact dimensions when using flanger.

