



Comes with feet or flanges.



## PREMIUM POLYCARBONATE ENCLOSURE

### Features and Benefits

- Standard color – light gray with a gloss finish.
- Best material – bases, opaque covers and clear covers are all made of high-impact, UV resistant polycarbonate.
- Easy ordering – one part number includes base, lid, mounting feet or flanges and all lid fastening hardware (mounting panels sold separately).
- Flexible interior mounting – features the unique and patented Integra adjustable depth “T-Rail” back panel mounting system (back panel and adjustable brackets sold separately).
- Features multiple bosses for easy installation of devices and DIN rails.
- UL-50 / c-UL Listed (files # E229365, # E207562)

Our Premium Line enclosures are the most durable, non-metallic Nema UL rated enclosures available. From the extremely versatile mounting options inside the enclosure to having the most off-the-shelf accessories, the Integra “Made In the USA” Premium Line enclosures provide great value to any application.

Mechanical and Thermal	Test Spec.	Unit	Premium Line
Instrumented Dart Impact @ 73° F		in/lb.	565
Falling Ball Impact @ 73° F	UL-746	in/lb.	900
Deflection Temperature @ 264 psi	ASTM D648	Deg. F	270
Modulus of Elasticity	ASTM D790	ksi	340
Temperature Range		Deg. F	-40 to 265
Flammable / UV Ratings	Test Spec.	Unit	Premium Line
Flame Rating - UL	UL 94	-	5VA
Outdoor UV Exposure	UL	-	F1



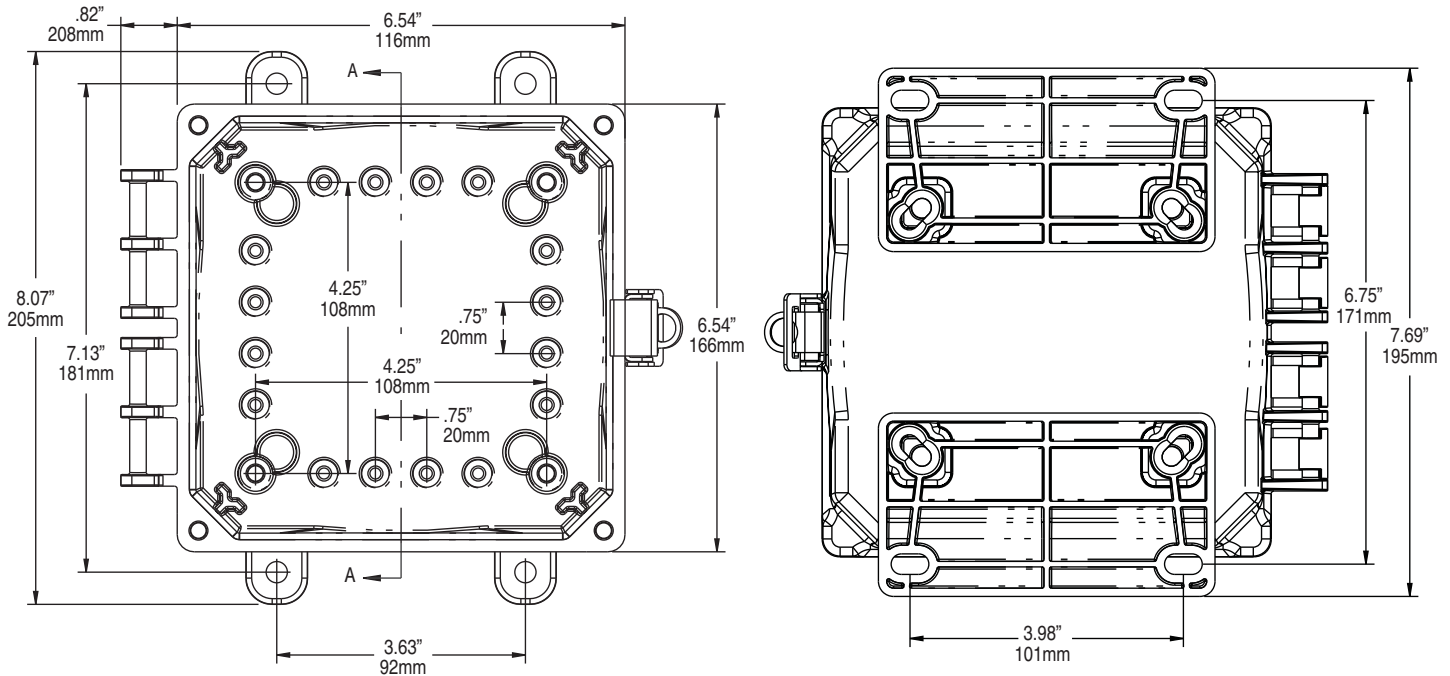
Atex pending, contact factory for details

6064 P/N	4X IP66	6P IP68	Hinged Cover	Screw Cover	Opaque Cover	Clear Cover	Mounting Feet	Mounting Flange	Stainless Steel Locking Latch	Non-Metallic Locking Latch
H6064S	✓	✓		✓	✓		✓			
H6064SC	✓	✓		✓		✓	✓			
H6064SF	✓	✓		✓	✓			✓		
H6064SCF	✓	✓		✓		✓		✓		
H6064H	✓		✓	✓	✓		✓			
H6064HC	✓		✓	✓		✓	✓			
H6064HF	✓		✓	✓	✓			✓		
H6064HCF	✓		✓	✓		✓		✓		
H6064HLL	✓		✓		✓		✓		✓	
H6064HCLL	✓		✓			✓	✓		✓	
H6064HFLL	✓		✓		✓			✓	✓	
H6064HCFL	✓		✓			✓		✓	✓	
H6064HNL	✓		✓		✓		✓			✓
H6064HCNL	✓		✓			✓	✓			✓
H6064HFNL	✓		✓		✓			✓		✓
H6064HCFNL	✓		✓			✓		✓		✓
H6064H-6P	✓	✓	✓	✓	✓		✓			
H6064HC-6P	✓	✓	✓	✓		✓	✓			
H6064HF-6P	✓	✓	✓	✓	✓			✓		
H6064HCF-6P	✓	✓	✓	✓		✓		✓		

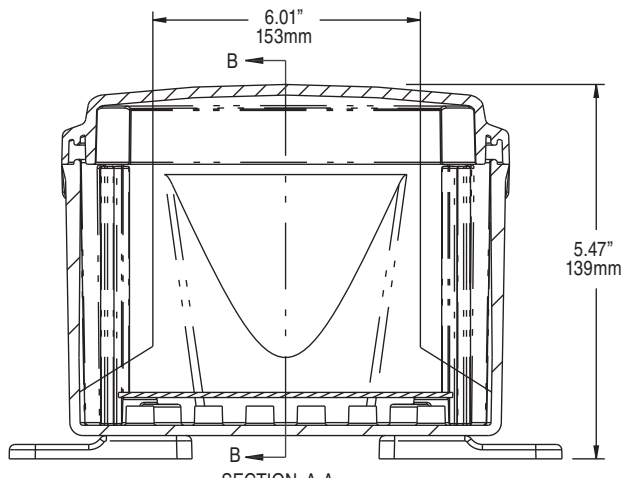
TORQUE SPECIFICATIONS - Mounting Brackets - 1/4"-20 x 0.25 SS, countersunk phillips drive screws (torque limit = 20 in. lbs.) | Covers / Doors - Torque for corner screws is 10 in. lbs.



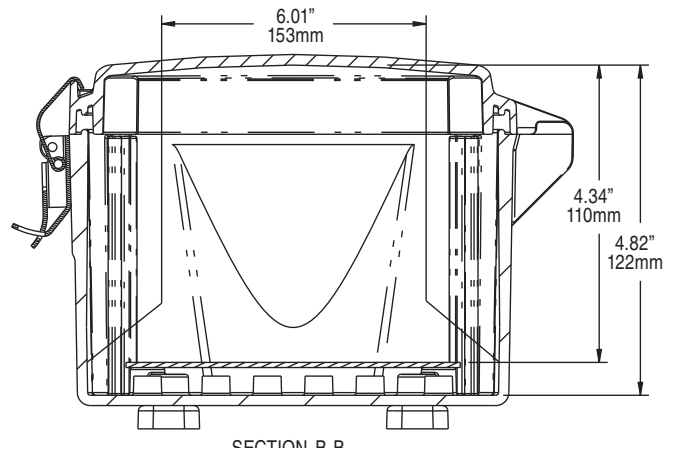
# 6X6X4 PREMIUM LINE



@ TOP OF BACKPANEL



@ TOP OF BACKPANEL



Register online to download this drawing off the Integra website at [www.integraenclosures.com](http://www.integraenclosures.com) | Your company's logo or other information on the lid. Consult factory for details.

## Accessories for 6x6x4 (For complete accessories, see page 49-52)



### Back Panels

**ABP66** - Aluminum panel  
**SBP66** - Steel panel  
**PVCBP66** - PVC panel



### Aluminum Swing Out Panels

**ABP-66USP/USOPK** - Complete panel kit  
**ABP-66USP** - Aluminum swing out panels only  
**USOPK** - Hardware only



### Back Panel Adjustment Kit

**BPAKG** - Gray, Set Screw  
**BPAKB** - Black, Set Screw  
**UBPAKG** - Gray, Thumb Screw  
**UBPAKB** - Black Thumb Screw



### Air Vents

**VENT 3** - Aluminum louvered  
**VENT 2** - Outdoor labyrinth



### Steel Swing Out Panels

**SBP-66USP/USOPK** - Complete panel kit  
**SBP-66USP** - Steel swing out panels only  
**USOPK** - Hardware only



### Cord Grips

IP68/NEMA 4X/6P rated  
 See page 53 for more details and part numbers.



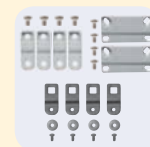
### Din Rail

**DIN 6** - 2 rails, 4 screws



### Pole Mounting Kit

**PMKG-26** - 2" pole  
**PMKG-36** - 3" pole  
**PMKG-46** - 4" pole  
**PMKG-126** - 12" pole



### Mounting Feet & Flange Kits

**MFKG** - Premium line feet  
**MFKSS** - Stainless steel feet  
**MFLK6** - 6" Flange kit