

# 10X8X6 IMPACT® SERIES



## Features & Benefits

- **Quality material** – bases, opaque covers and clear covers are all made of high-impact, UV resistant polycarbonate.
- **Frequency friendly** – 100% metal free configurations available which is extremely favorable for sending and receiving wireless signals.
- **Easy installation** – with molded mounting flanges, so no extra hardware is needed.
- **Flexible interior mounting** – bosses on rear wall and lid of opaque enclosure provide multiple mounting options for DIN rail, back panels, or other components.
- **Standard color** – light gray with a gloss finish.
- **UL-50 / c-UL Listed** (file # E207562)

| Mechanical & Thermal             | Test Spec. | Unit   | Rating     |
|----------------------------------|------------|--------|------------|
| Instrumented Dart Impact @ 73° F | -          | in-lbs | 565        |
| Falling Ball Impact @ 73° F      | UL-746     | in-lbs | 900        |
| Deflection Temperature @ 264 psi | ASTM D648  | Deg. F | 270        |
| Modulus of Elasticity            | ASTM D790  | ksi    | 340        |
| Temperature Range                | -          | Deg. F | -40 to 265 |
| Flame Rating - UL                | UL 94      | -      | 5VA        |
| Outdoor UV Exposure              | UL         | -      | F1         |

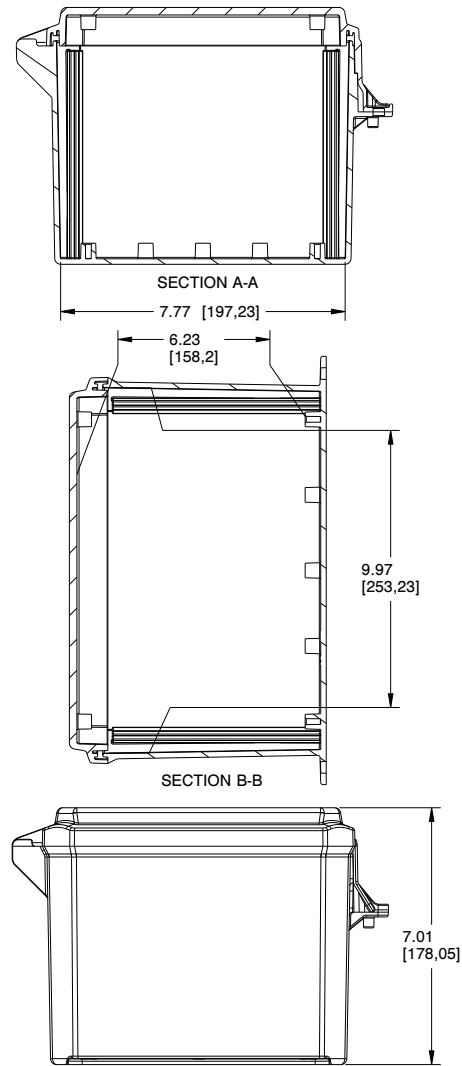
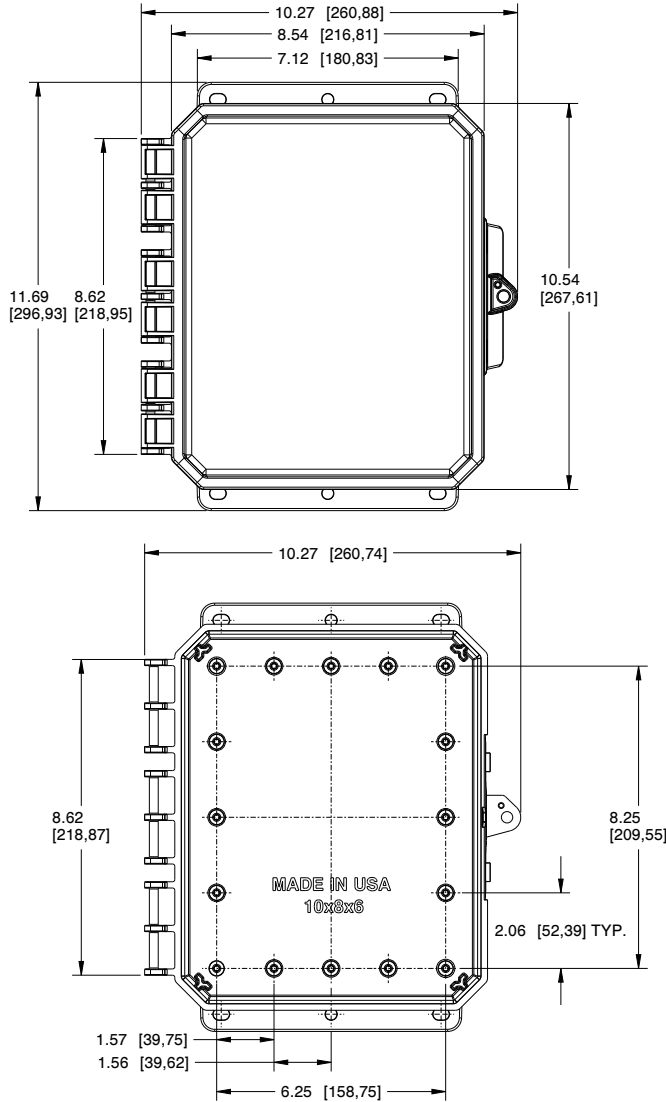


| Part Number | 4X IP66 | 6P IP68 | Standard Hinge | Low Profile Hinge | Opaque Cover | Clear Cover | Integrated Mounting Flange | Integrated Locking Latch | Stainless Steel Locking Latch | Non-Metallic Locking Latch |
|-------------|---------|---------|----------------|-------------------|--------------|-------------|----------------------------|--------------------------|-------------------------------|----------------------------|
| ★ P10086    | ✓       | ✓       | ✓              |                   | ✓            |             | ✓                          | ✓                        |                               |                            |
| ★ P10086C   | ✓       | ✓       | ✓              |                   |              | ✓           | ✓                          | ✓                        |                               |                            |
| P10086LL    | ✓       |         |                |                   | ✓            |             | ✓                          |                          | ✓                             |                            |
| P10086CLL   | ✓       |         |                |                   |              | ✓           | ✓                          |                          | ✓                             |                            |
| P10086LP    | ✓       | ✓       |                | ✓                 | ✓            |             | ✓                          | ✓                        |                               |                            |
| P10086LPC   | ✓       | ✓       |                | ✓                 |              | ✓           | ✓                          | ✓                        |                               |                            |
| P10086LPLL  | ✓       |         |                | ✓                 | ✓            |             | ✓                          |                          | ✓                             |                            |
| P10086LPCLL | ✓       |         |                | ✓                 |              | ✓           | ✓                          |                          | ✓                             |                            |
| P10086NL    | ✓       |         | ✓              |                   | ✓            |             | ✓                          |                          |                               | ✓                          |
| P10086CNL   | ✓       |         | ✓              |                   |              | ✓           | ✓                          |                          |                               | ✓                          |
| P10086LPNL  | ✓       |         |                | ✓                 | ✓            |             | ✓                          |                          |                               | ✓                          |
| P10086LPCNL | ✓       |         |                | ✓                 |              | ✓           | ✓                          |                          |                               | ✓                          |

★ **POPULAR CONFIGURATIONS:** Most popular configurations are available for *QuickShip*. Please send requests to [customerservice@integraenclosures.com](mailto:customerservice@integraenclosures.com) to take advantage of our *QuickShip* option.



# 10X8X6 IMPACT® SERIES









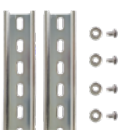


[Bracketed dimensions in mm]

## TORQUE SPECIFICATIONS:

**Panels** - #10 thread cutter pan head 18-8 SS (torque limit = 10 in lbs)

Register online to download detailed drawing files at [www.integraenclosures.com](http://www.integraenclosures.com)

## Accessories for 10x8x6 (For complete accessories, see pages 86-89)

|   |   |  |
|---|---|--|
|  <p><b>Back Panels</b><br/> <b>ABP108-IMP</b> - Aluminum panel<br/> <b>SBP108-IMP</b> - Steel panel<br/> <b>PVCBP108-IMP</b> - PVC panel</p> |  <p><b>Aluminum Swing Panel Kits</b><br/> <b>ABP-108-USOPK</b> - Complete kit<br/> <b>ABP-108USP</b> - Panel only<br/> <b>USOPK</b> - Hardware only</p>                    |  <p><b>Back Panel Adjustment Kit</b><br/> <b>BPAKG</b> - Gray, Set Screw<br/> <b>BPAKB</b> - Black, Set Screw<br/> <b>UBPAKG</b> - Gray, Thumb Screw<br/> <b>UBPAKB</b> - Black Thumb Screw</p> |
|  <p><b>Air Vents</b><br/> <b>VENT 3</b> - Aluminum louvered<br/> <b>VENT 2</b> - Outdoor labyrinth</p>                                       |  <p><b>Steel Swing Panel Kits</b><br/> <b>SBP-108-USOPK</b> - Complete kit<br/> <b>SBP-108USP</b> - Panel only<br/> <b>USOPK</b> - Hardware only</p>                       |  <p><b>Mounting Screws</b><br/> <b>SP-10I</b> - 10 Pieces self-tapping screws for bosses</p>  |
|  <p><b>Din Rail</b><br/> <b>DIN 8-IMP</b> - 2 rails, 4 screws</p>  |  <p><b>Pole Mounting Kit</b><br/> <b>PMKG-28-IMP</b> - 2" pole<br/> <b>PMKG-38-IMP</b> - 3" pole<br/> <b>PMKG-48-IMP</b> - 4" pole<br/> <b>PMKG-128-IMP</b> - 12" pole</p> |  <p><b>Cord Grips</b><br/> IP68/NEMA 4X/6P rated<br/> See page 78 for more details.</p>   |