

16X14X7 PREMIUM SERIES



Features & Benefits

- **Quality material** – bases, opaque covers and clear covers are all made of high-impact, UV resistant polycarbonate.
- **Flexible interior mounting** – features the unique and patented Integra adjustable depth “T-Rail” back panel mounting system (back panel and adjustable brackets sold separately).
- **Wide range** of sizes, configurations and accessories provides capabilities for every application.
- **Brass inserts** – in corner bosses for easy component installation.
- **Standard color** – light gray with a gloss finish.
- **UL-50 / c-UL Listed** (files # E229365, # E207562)



Mounting Feet



Mounting Flanges



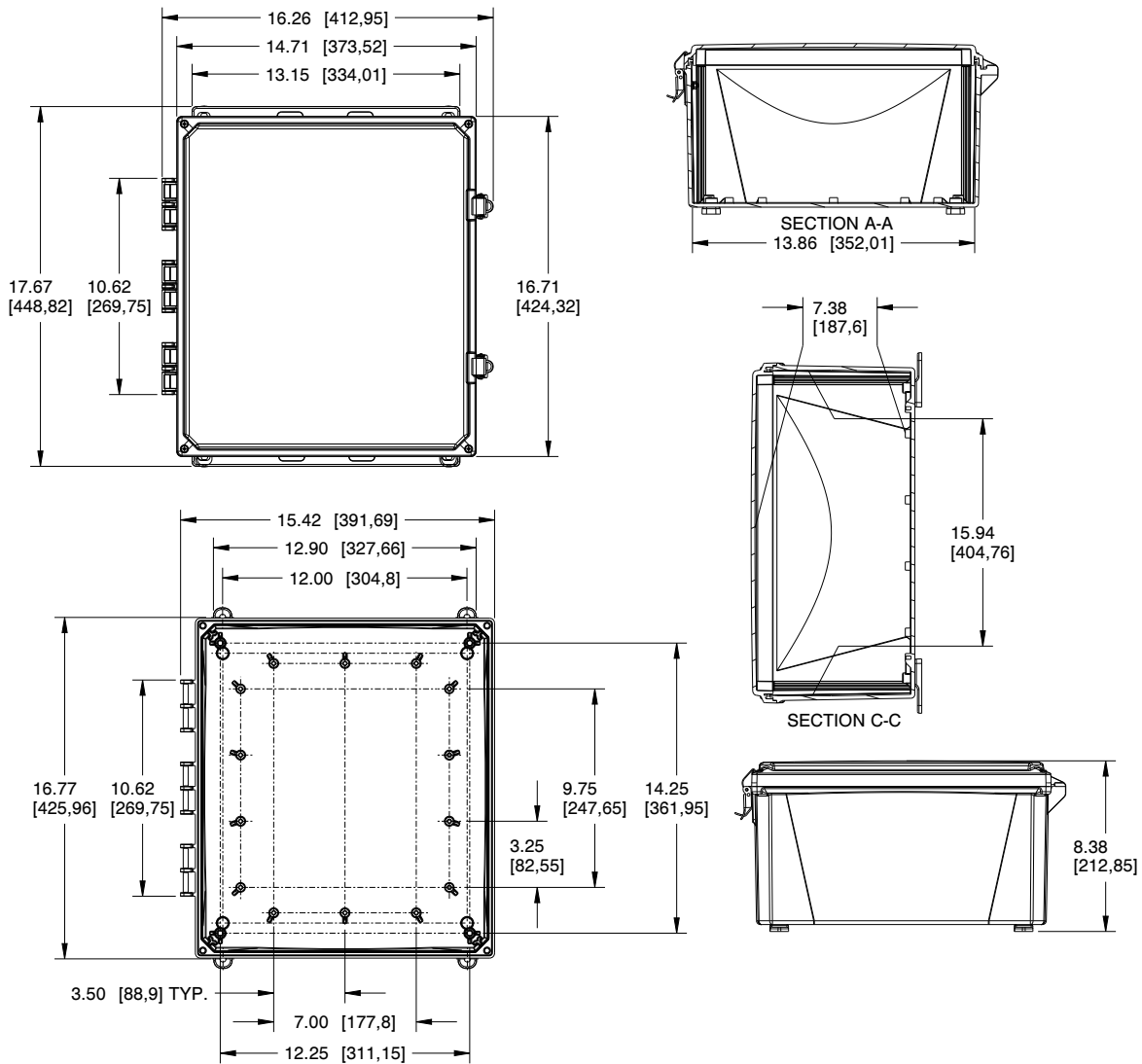
| Mechanical & Thermal | Test Spec. | Unit | Rating |
|----------------------------------|------------|--------|------------|
| Instrumented Dart Impact @ 73° F | - | in-lbs | 565 |
| Falling Ball Impact @ 73° F | UL-746 | in-lbs | 900 |
| Deflection Temperature @ 264 psi | ASTM D648 | Deg. F | 270 |
| Modulus of Elasticity | ASTM D790 | ksi | 340 |
| Temperature Range | - | Deg. F | -40 to 265 |
| Flame Rating - UL | UL 94 | - | 5VA |
| Outdoor UV Exposure | UL | - | F1 |

| Part Number | 4X IP66 | 6P IP68 | Hinged Cover | Screw Cover | Opaque Cover | Clear Cover | Mounting Feet | Mounting Flange | Stainless Steel Locking Latch | Non-Metallic Locking Latch |
|---------------|---------|---------|--------------|-------------|--------------|-------------|---------------|-----------------|-------------------------------|----------------------------|
| H161407S | ✓ | ✓ | | ✓ | ✓ | | ✓ | | | |
| H161407SC | ✓ | ✓ | | ✓ | | ✓ | ✓ | | | |
| H161407SF | ✓ | ✓ | | ✓ | ✓ | | | ✓ | | |
| H161407SCF | ✓ | ✓ | | ✓ | | ✓ | | ✓ | | |
| H161407H | ✓ | | ✓ | ✓ | ✓ | | ✓ | | | |
| H161407HC | ✓ | | ✓ | ✓ | | ✓ | ✓ | | | |
| H161407HF | ✓ | | ✓ | ✓ | ✓ | | | ✓ | | |
| H161407HCF | ✓ | | ✓ | ✓ | | ✓ | | ✓ | | |
| ★ H161407HLL | ✓ | | ✓ | | ✓ | | ✓ | | ✓ | |
| ★ H161407HCLL | ✓ | | ✓ | | | ✓ | ✓ | | ✓ | |
| H161407HFLL | ✓ | | ✓ | | ✓ | | | ✓ | ✓ | |
| H161407HCFLL | ✓ | | ✓ | | | ✓ | | ✓ | ✓ | |
| H161407HNL | ✓ | | ✓ | | ✓ | | ✓ | | | ✓ |
| H161407HCNL | ✓ | | ✓ | | | ✓ | ✓ | | | ✓ |
| H161407HFNL | ✓ | | ✓ | | ✓ | | | ✓ | | ✓ |
| H161407HCFNL | ✓ | | ✓ | | | ✓ | | ✓ | | ✓ |
| H161407H-6P | ✓ | ✓ | ✓ | ✓ | ✓ | | ✓ | | | |
| H161407HC-6P | ✓ | ✓ | ✓ | ✓ | | ✓ | ✓ | | | |
| H161407HF-6P | ✓ | ✓ | ✓ | ✓ | ✓ | | | ✓ | | |
| H161407HCF-6P | ✓ | ✓ | ✓ | ✓ | | ✓ | | ✓ | | |

★ **POPULAR CONFIGURATIONS:** Most popular configurations are available for *QuickShip*. Please send requests to customerservice@integraenclosures.com to take advantage of our *QuickShip* option.



16X14X7 PREMIUM SERIES



TORQUE SPECIFICATIONS:

Mounting Feet - 1/4"-20 x 0.5" SS countersunk Phillips drive screws (torque limit = 32 in lbs)

Covers/Doors - #10-32 x 0.75" SS pan Phillips drive screws (torque limit = 10 in lbs)

Panels - #10-32 x 0.375" pan Phillips drive screws (torque limit = 10-15 in lbs)

[Bracketed dimensions in mm]

Register online to download detailed drawing files at www.integraenclosures.com

Accessories for 16x14x7 (For complete accessories, see pages 81-85)



Back Panels

- ABP1614 - Aluminum panel
- SBP1614 - Steel panel
- PVCBP1614 - PVC panel



Aluminum Swing Panel Kits

- ABP-1614-USOPK - Complete kit
- ABP-1614USP - Panel only
- USOPK - Hardware only



Back Panel Adjustment Kit

- BPAKG - Gray, Set Screw
- BPAKB - Black, Set Screw
- UBPAKG - Gray, Thumb Screw
- UBPAKB - Black Thumb Screw



Air Vents / Fan Shrouds

- VENT 3 - Aluminum louvered
- VENT 2 - Outdoor labyrinth
- FS KIT1 - 1 piece kit
- FS KIT2 - 2 piece kit



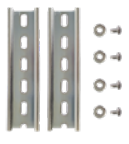
Steel Swing Panel Kits

- SBP-1614-USOPK - Complete kit
- SBP-1614USP - Panel only
- USOPK - Hardware only



Cord Grips

- IP68/NEMA 4X/6P rated
- See page 78 for more details and part numbers.



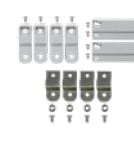
Din Rail

- DIN 14 - 2 rails, 4 screws



Pole Mounting Kit

- PMKG-214 - 2" pole
- PMKG-314 - 3" pole
- PMKG-414 - 4" pole
- PMKG-1214 - 12" pole



Mounting Feet & Flange Kits

- MFKG - Premium line feet
- MFKSS - Stainless steel feet
- MFLK14 - 14" Flange kit